



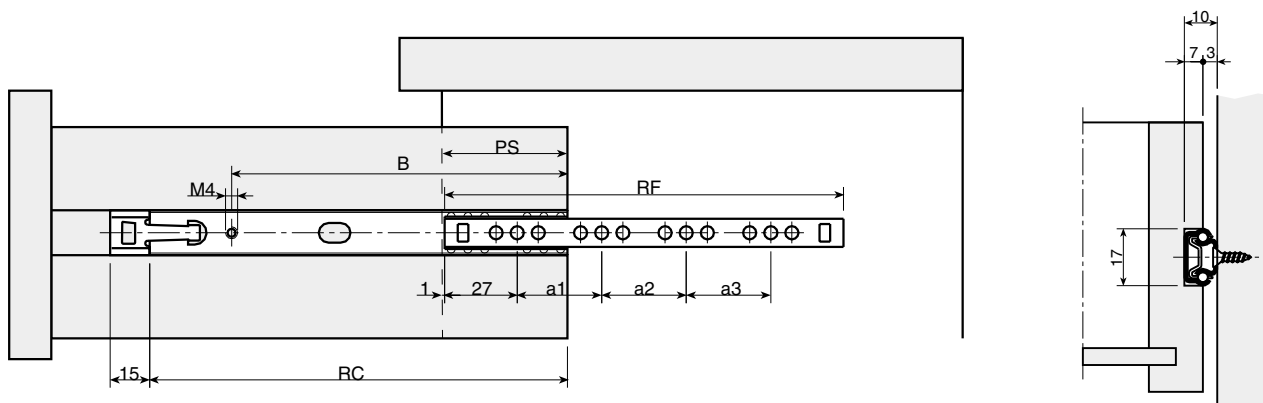
## “CISNE-17” BALL-BEARING RUNNER SHORT MODEL



### A Quick fixing “ARPON” or screw-on fixing

50

| Loading            | Drawer length | Reference   | Drawer slide<br>RC | Carcase slide<br>RF | Loss of extension<br>PS | Drilling |     |    | B   |
|--------------------|---------------|-------------|--------------------|---------------------|-------------------------|----------|-----|----|-----|
|                    |               |             |                    |                     |                         | a1       | a2  | a3 |     |
| 100 N.<br>(10 kp.) | 152 ÷ 210     | 776.134.752 | 134                | 151                 | 59                      | 96       | -   | -  | 103 |
|                    | 220 ÷ 260     | 776.159.753 | 159                | 183                 | 59                      | 64       | -   | 64 | 128 |
|                    | 270 ÷ 310     | 776.183.752 | 183                | 183                 | 59                      | 64       | -   | 64 | 152 |
|                    | 315 ÷ 355     | 776.215.753 | 215                | 215                 | 77                      | 64       | 32  | 64 | 184 |
|                    | 370 ÷ 410     | 776.243.753 | 243                | 243                 | 77                      | 64       | 64  | 64 | 212 |
| 80 N.<br>(8 kp.)   | 420 ÷ 460     | 776.277.751 | 277                | 279                 | 95                      | 64       | 96  | 64 | 246 |
|                    | 470 ÷ 510     | 776.311.756 | 311                | 311                 | 113                     | 64       | 128 | 64 | 280 |
|                    | 520 ÷ 560     | 776.335.755 | 335                | 343                 | 113                     | 64       | 160 | 64 | 304 |



### B Fixing screw

|         |             |       |
|---------|-------------|-------|
| M4 x 7  | 730.507.035 | 1.000 |
| M4 x 8  | 730.508.030 | or    |
| M4 x 10 | 730.510.034 | 5.000 |



### C Quick fixing “ARPON-17”

|                 |             |                    |
|-----------------|-------------|--------------------|
| Stainless steel | 732.517.100 | 500<br>or<br>2.000 |
|-----------------|-------------|--------------------|





## “CISNE 17” ADJUSTABLE BALL-BEARING RUNNER

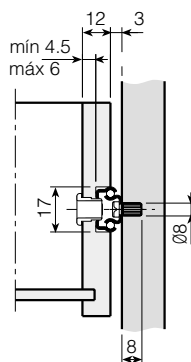
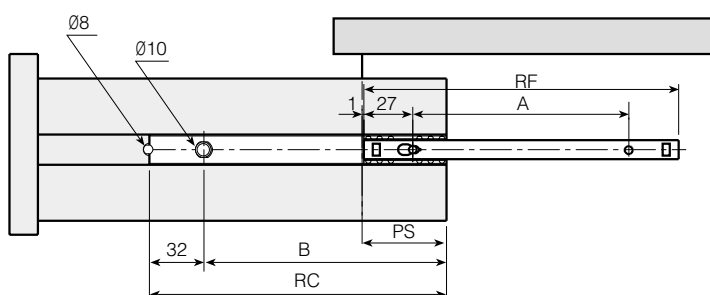
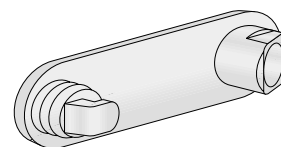


**A** Short adjustable Ø 8 quick-mounting “Cisne 17” 50

| Loading            | Drawer length | Reference   | Drawer slide RC | Carcase slide RF | Loss of extension PS | A   | B   |
|--------------------|---------------|-------------|-----------------|------------------|----------------------|-----|-----|
| 100 N.<br>(10 kp.) | 250           | 775.525.752 | 159             | 176              | 59                   | 128 | 128 |
|                    | 300           | 775.530.755 | 183             | 176              | 59                   | 128 | 152 |
|                    | 350           | 775.535.751 | 215             | 212              | 77                   | 160 | 184 |
|                    | 400           | 775.540.754 | 243             | 234              | 77                   | 192 | 212 |
|                    | 450           | 775.545.750 | 277             | 268              | 95                   | 224 | 246 |
| 80 N.<br>(8 kp.)   | 500           | 775.550.753 | 311             | 302              | 113                  | 256 | 280 |
|                    | 550           | 775.555.756 | 335             | 328              | 113                  | 288 | 304 |

**B** Fixing device

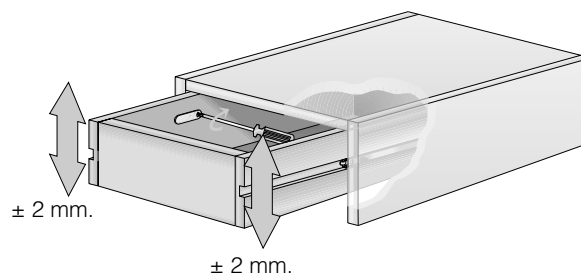
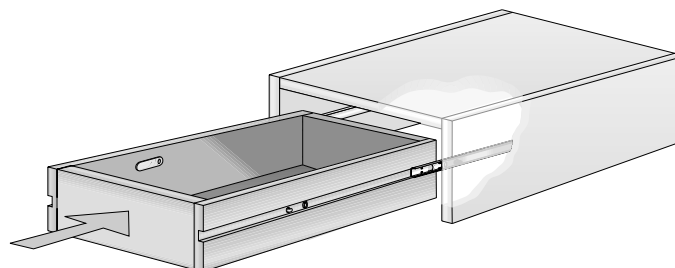
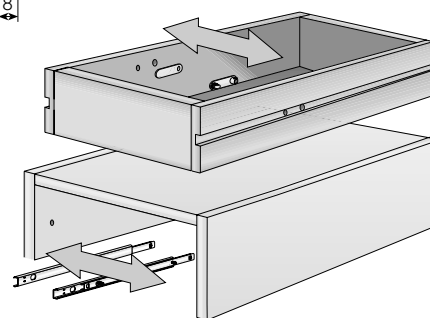
|                |             |      |
|----------------|-------------|------|
| White RAL 9003 | 722.908.130 | 2000 |
| Brown RAL 8016 | 722.908.012 |      |
| Black RAL 9005 | 722.908.023 |      |



1. Drill the carcass and place the runners. Assemble the fixing devices in the drawer.

2. Place the drawer on the runners and slide to complete assembly.

3. To adjust the drawer simply align the fixing device and the runner, then turn the screw driver through the hole in the drawer. VERTICAL ADJUSTMENT  $\pm 2$ mm.





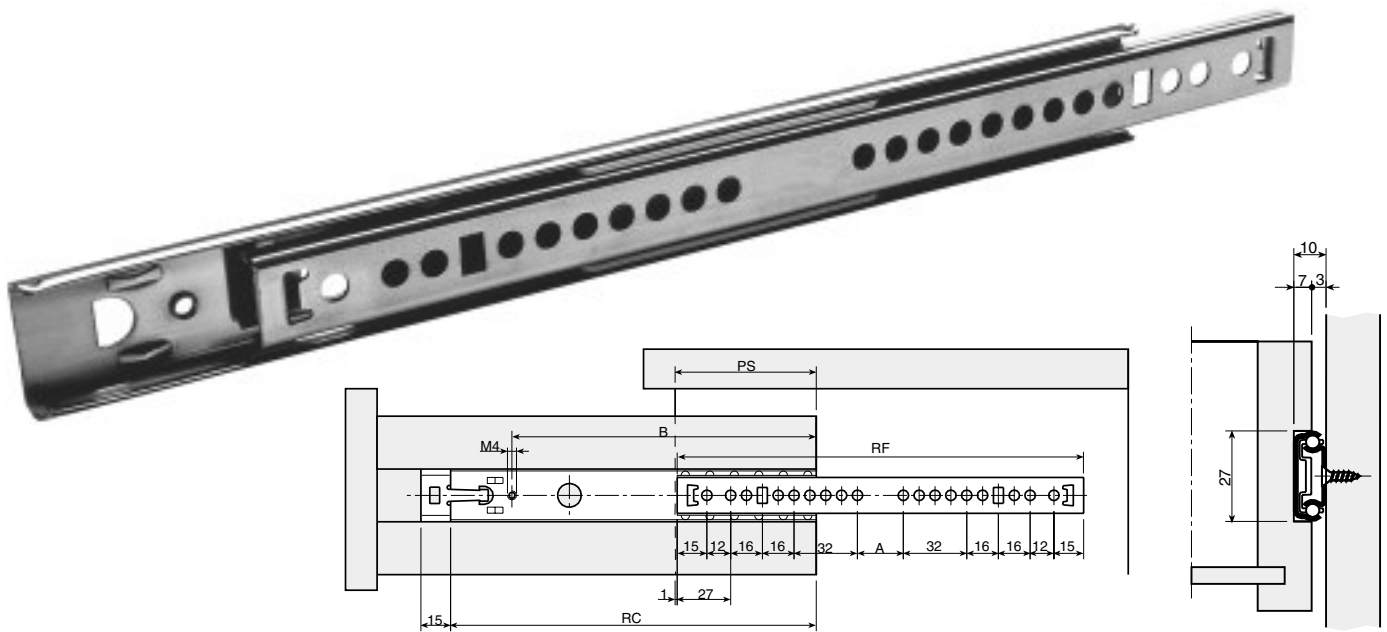
## "CISNE 27-0" BALL-BEARING RUNNER



### A Quick fixing "ARPON" or screw-on fixing runner

25

| Loading            | Drawer length | Reference   | Drawer slide RC | Carcase slide RF | Loss of extension PS | Drilling A | B   |
|--------------------|---------------|-------------|-----------------|------------------|----------------------|------------|-----|
| 120 N.<br>(12 kp.) | 300           | 781.030.751 | 196             | 214              | 71                   | 32         | 165 |
|                    | 350           | 781.035.754 | 221             | 214              | 71                   | 32         | 190 |
|                    | 400           | 781.040.750 | 246             | 246              | 71                   | 64         | 215 |
|                    | 450           | 781.045.753 | 277             | 278              | 83                   | 96         | 246 |
|                    | 500           | 781.050.756 | 302             | 310              | 83                   | 128        | 271 |
|                    | 550           | 781.055.752 | 327             | 342              | 83                   | 160        | 296 |



### B Quick fixing "ARPON-27"

|                 |             |
|-----------------|-------------|
| Stainless steel | 732.527.106 |
|-----------------|-------------|

500  
or  
2.000



### C Fixing Screw

|         |             |
|---------|-------------|
| M4 x 7  | 730.507.035 |
| M4 x 8  | 730.508.030 |
| M4 x 10 | 730.510.034 |

1.000  
or  
5.000

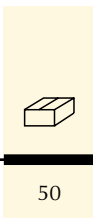


A high precision ball bearing runner, designed for drawers with lateral groove. Smooth gliding, and good side to side stability. Will fit on the left or right hand side. Hot-dip galvanized steel guides and sliding over hardened steel balls.





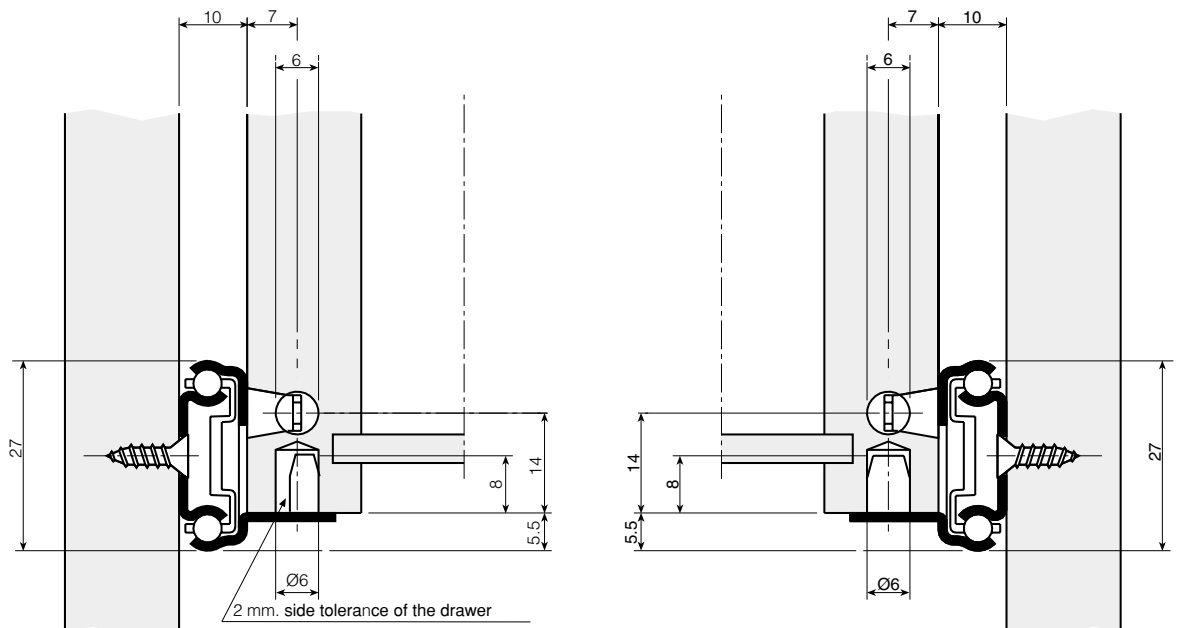
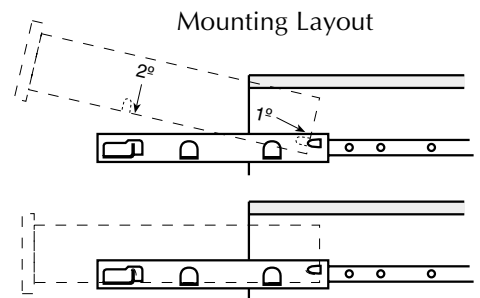
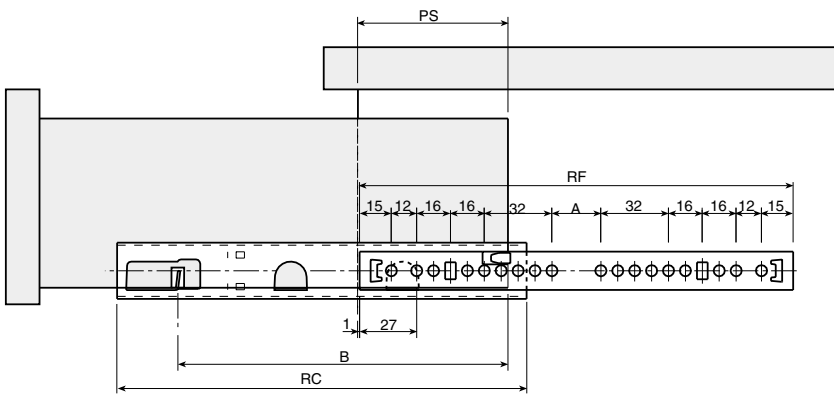
# "CISNE 27-1" BALL-BEARING RUNNER



50

## A "CISNE 27-1" RUNNER, Interlocking fixing.

| Loading            | Drawer length | Reference   | Drawer slide RC | Carcase slide RF | Loss of extension PS | Drilling A | B   |
|--------------------|---------------|-------------|-----------------|------------------|----------------------|------------|-----|
| 120 N.<br>(12 kp.) | 300           | 781.130.755 | 235             | 214              | 71                   | 32         | 202 |
|                    | 350           | 781.135.751 | 260             | 214              | 71                   | 32         | 227 |
|                    | 400           | 781.140.754 | 285             | 246              | 71                   | 64         | 252 |
|                    | 450           | 781.145.750 | 316             | 278              | 83                   | 96         | 283 |
|                    | 500           | 781.150.753 | 341             | 310              | 83                   | 128        | 308 |
|                    | 550           | 781.155.756 | 366             | 342              | 83                   | 160        | 333 |



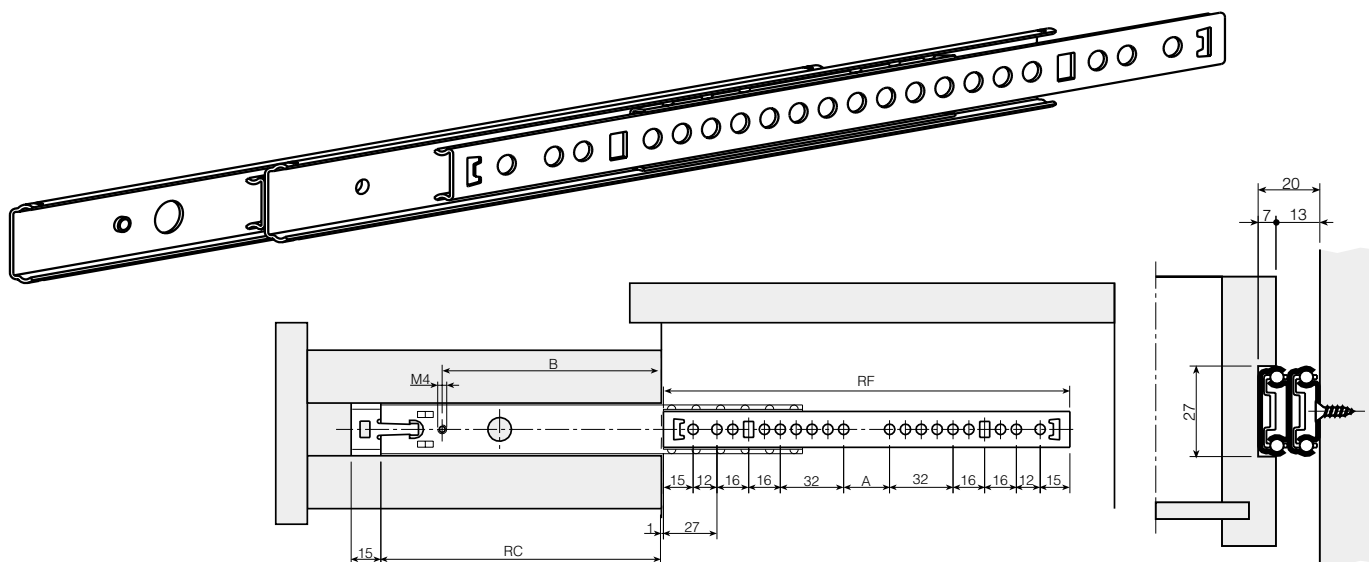


## FULL EXTENSION "CISNE 27-0" BALL-BEARING RUNNER



### A Quick fixing "ARPON" or screw-on fixing runner 15

| Loading            | Drawer length | Reference   | Drawer slide RC | Carcase slide RF | Drilling A | B   |
|--------------------|---------------|-------------|-----------------|------------------|------------|-----|
| 250 N.<br>(25 kp.) | 300           | 781.230.752 | 196             | 214              | 32         | 165 |
|                    | 350           | 781.235.755 | 221             | 214              | 32         | 190 |
|                    | 400           | 781.240.751 | 246             | 246              | 64         | 215 |
|                    | 450           | 781.245.754 | 277             | 278              | 96         | 246 |
|                    | 500           | 781.250.750 | 302             | 310              | 128        | 271 |
|                    | 550           | 781.255.753 | 327             | 342              | 160        | 296 |



### B Fixing Screw

|         |             |       |
|---------|-------------|-------|
| M4 x 7  | 730.507.035 | 1.000 |
| M4 x 8  | 730.508.030 | or    |
| M4 x 10 | 730.510.034 | 5.000 |



### C Quick fixing "ARPON-27"

|                 |             |       |
|-----------------|-------------|-------|
| Stainless steel | 732.527.106 | 500   |
|                 |             | or    |
|                 |             | 2.000 |



A high precision ball bearing runner, designed for drawers with lateral groove. Smooth gliding, and good side to side stability. Will fit on the left or right hand side. Hot-dip galvanized steel guides and sliding over hardened steel balls.