



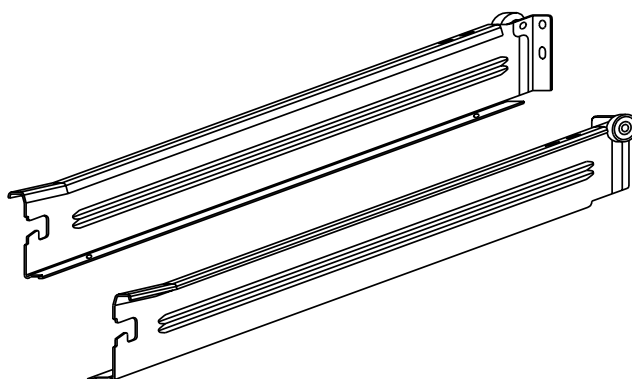
## SUPRA DRAWERS



### A "SUPRA 54" drawer

Loading	L	White RAL 9001	
250 N. (25 kp.)	270		653.027.001
	350		653.035.003
	400		653.040.006
	450		653.045.002
	500		653.050.005
	550		653.055.001

100

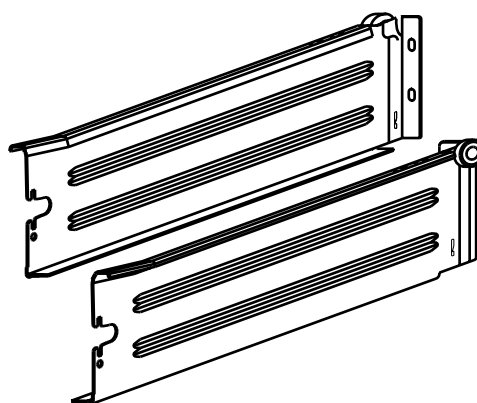


Reference consists of two drawer sides, packed separately in boxes of 25 sides.

### B "SUPRA 86" drawer

Loading	L	White RAL 9001	Grey RAL 7040
250 N. (25 kp.)	270	653.127.005	
	350	653.135.000	
	400	653.140.003	
	450	653.145.006	
	500	653.150.002	653.150.315
	550	653.155.005	

100

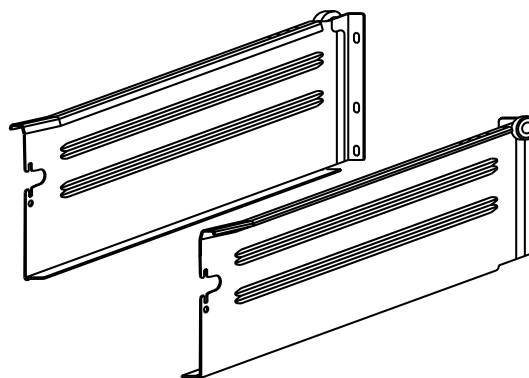


Reference consists of two drawer sides, packed separately in boxes of 25 sides.

### C "SUPRA 118" drawer

Loading	L	White RAL 9001	
250 N. (25 kp.)	350		653.235.004
	400		653.240.000
	450		653.245.003
	500		653.250.006
	550		653.255.002

100

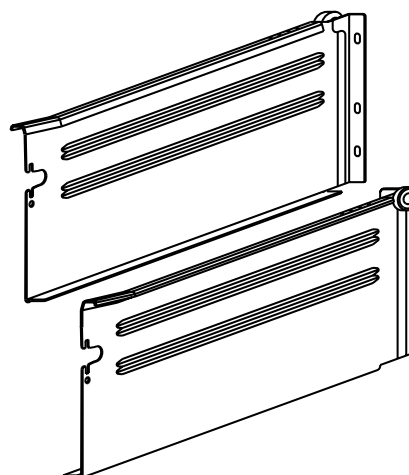


Reference consists of two drawer sides, packed separately in boxes of 25 sides.

### D "SUPRA 150" drawer

Loading	L	White RAL 9001	Grey RAL 7040
250 N. (25 kp.)	350	653.335.001	
	400	653.340.004	
	450	653.345.000	
	500	653.350.003	653.350.316
	550	653.355.006	

100



Reference consists of two drawer sides, packed separately in boxes of 25 sides.



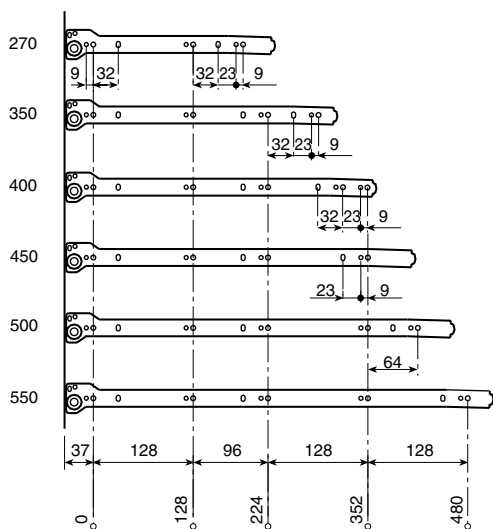
# GACELA RUNNER FOR SUPRA DRAWERS



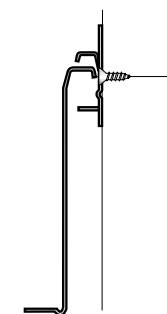
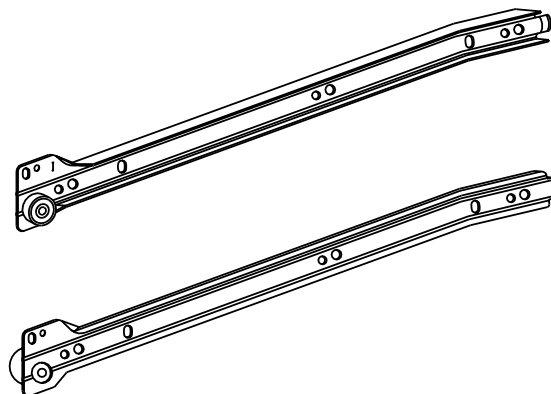
## A "GACELA" runner

Drawer length	Loss of extension P.S.	White RAL 9001
270	52	653.427.003
350	61	653.435.005
400	70	653.440.001
450	79	653.445.004
500	88	653.450.000
550	97	653.455.003

Reference consists of a complete set of runners, packed separately in boxes of 100 runners.



100

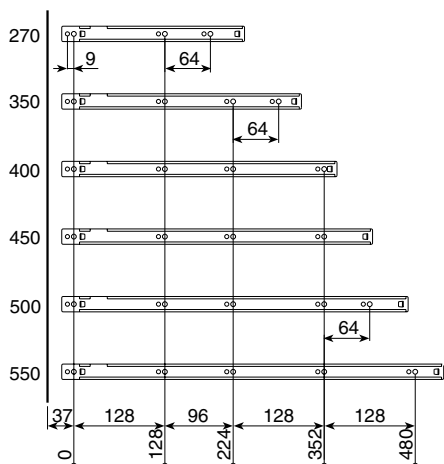


"GACELA" runner

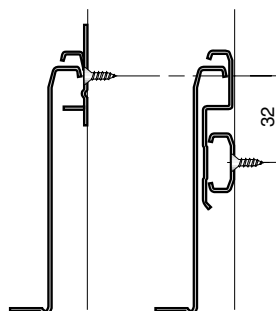
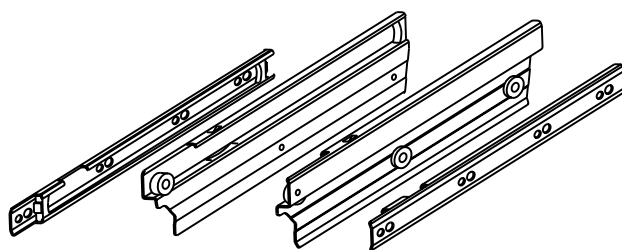
## B Full extension "GACELA" runner

Drawer length	Loss of extension P.S.	White RAL 9001
270	0	653.727.001
350	0	653.735.003
400	0	653.740.006
450	0	653.745.002
500	0	653.750.005
550	0	653.755.001

Reference consists of 2 S-profiles and 2 U-profiles. U-profiles are packed separately in boxes of 100 runners and S-profiles are packed separately in boxes of 50 runners.



100





## SUPRA DRAWERS ACCESSORIES

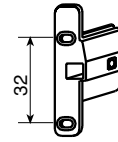


**A** Plastic front fixing bracket for "SUPRA 54" drawer.

White RAL 9001 c/32 mm. | 676.905.003

100

Each reference consists of a complete set of brackets.  
Lateral adjustmet 3 mm. Height adjustment 3 mm.

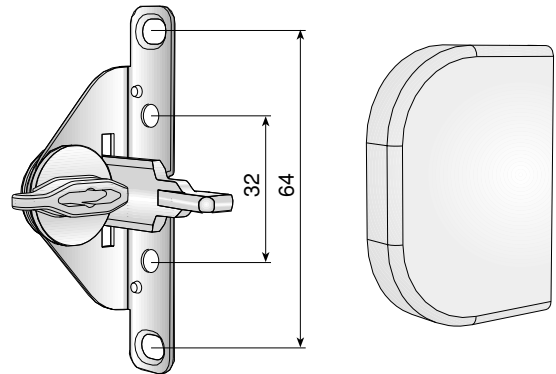


**B** Steel front fixing brackets for "SUPRA 86", "SUPRA 118" and "SUPRA 150" drawers

White RAL 9001 | 677.900.005

100

Each reference consists of a complete set of brackets.  
Lateral adjustmet 3 mm. Height adjustment 4 mm with no tools required.



**C** Cover

White RAL 9001 | 654.900.002

100

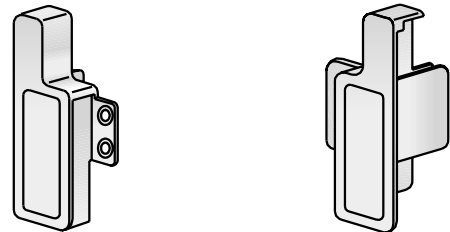
Each reference consists of a complete set of covers.

**D** Front fixing bracket for "SUPRA 86" inner drawer

White RAL 9001 | 676.911.001

100

Each reference consists of a complete set of brackets.



**E** Cutlery tray, White RAL-9001

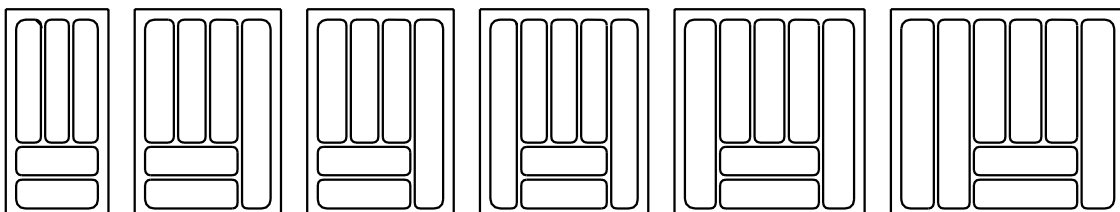
Module	Length500	Length 450
300	678.130.003	678.330.004
350	678.135.006	678.335.000
400	678.140.002	678.340.003
450	678.145.005	678.345.006
500	678.150.001	678.350.002
600	678.160.000	678.360.001

20

These module dimensions are for 16 mm. side and 16 mm. back.



Module    300            350            400            450            500            600





# "SUPRA" DRAWER PAN DRAWER EXTENDERS



## A Side rail for 16 mm drawer side

Module	White RAL 9001
400	746,840.006
450	746,845.002
500	746,850.005
600	746,860.004
900	746,890.001

50

## B Drawer back fixing

Nickel-plated	733.000.063
---------------	-------------

50

Reference consists of a complete set of adaptors.

## C Cross rail fixing device

White RAL 9001	732.400.001
----------------	-------------

100

## D Side rail

Drawer length	White RAL 9001
400	746.640.005
450	746.645.001
500	746.650.004

50

## E Bottle divider

White RAL 9001	748.100.006
----------------	-------------

50

## F Drawer front fixing

White RAL 9001	730.700.003
----------------	-------------

50

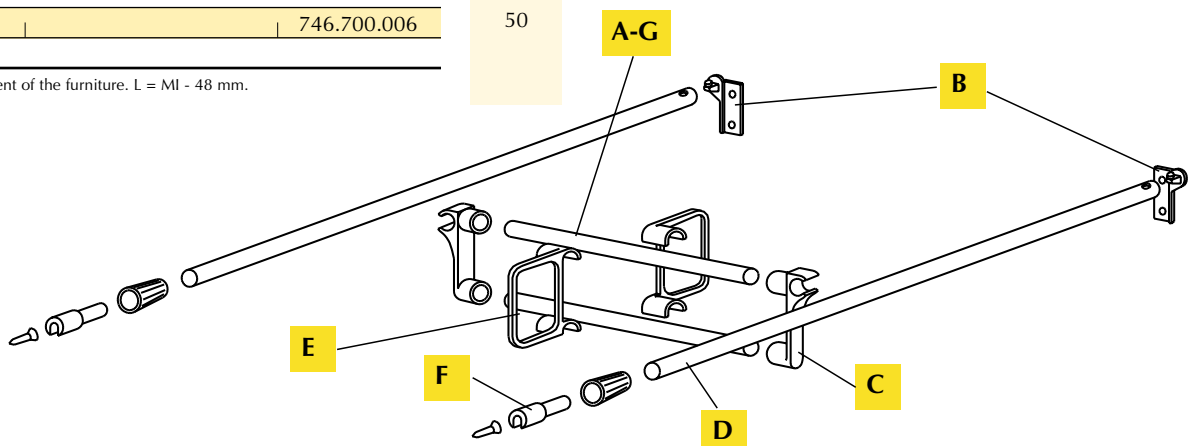
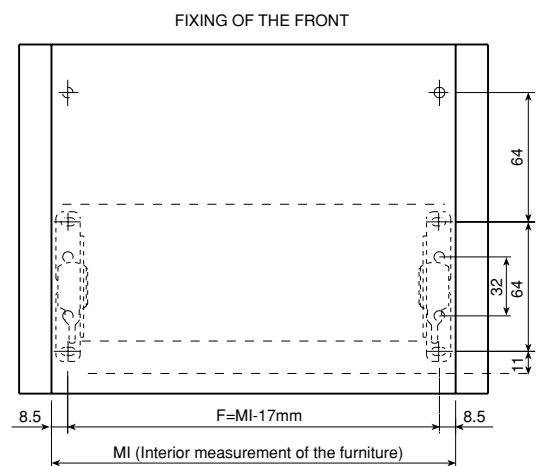
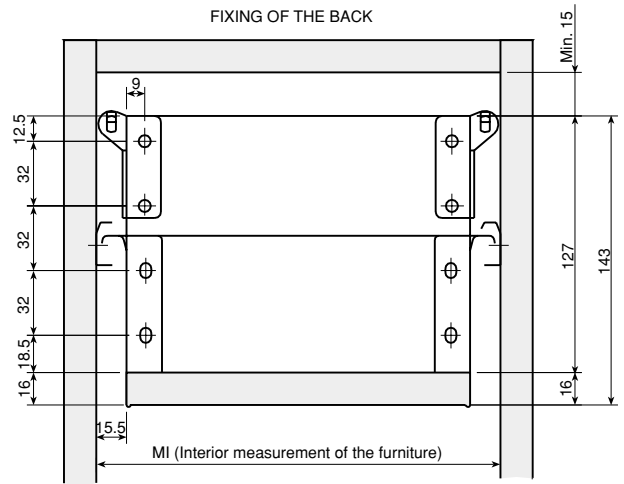
Reference consists of a complete set of brackets.

## G Cross rail, special length

White RAL 9001	746.700.006
----------------	-------------

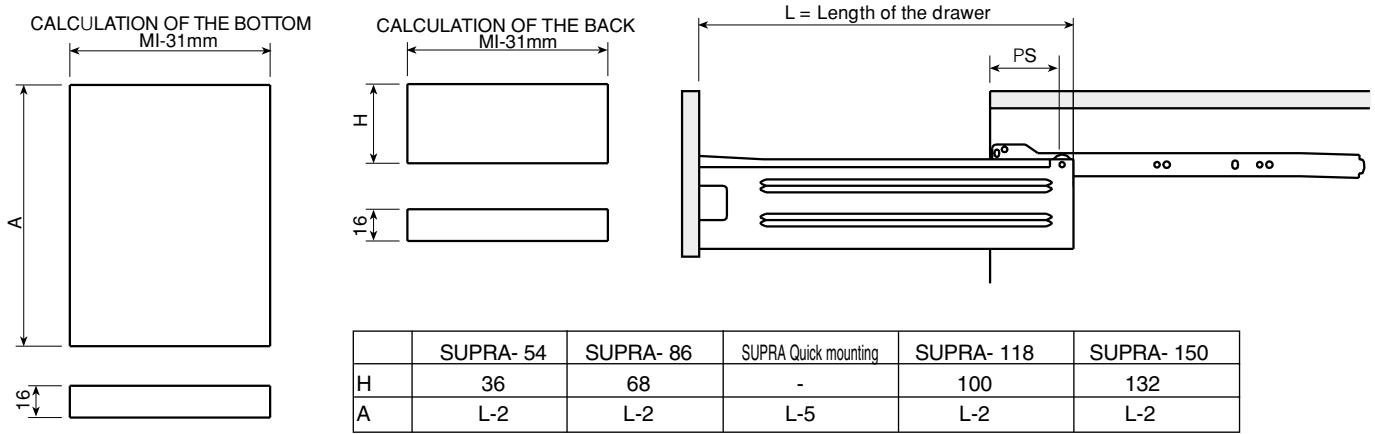
50

MI = Interior measurement of the furniture. L = MI - 48 mm.

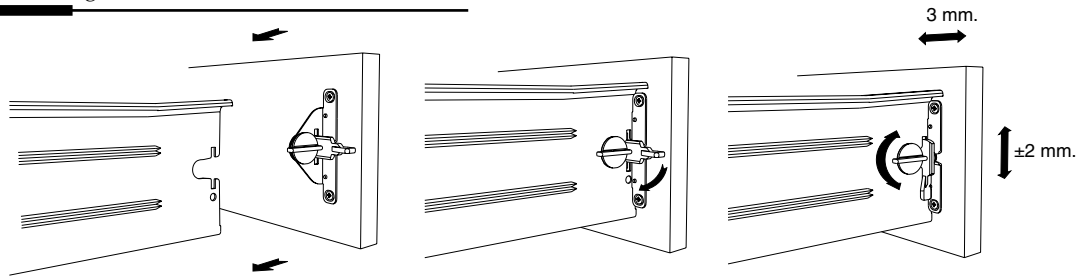




# SUPRA DRAWERS TECHNICAL DATA

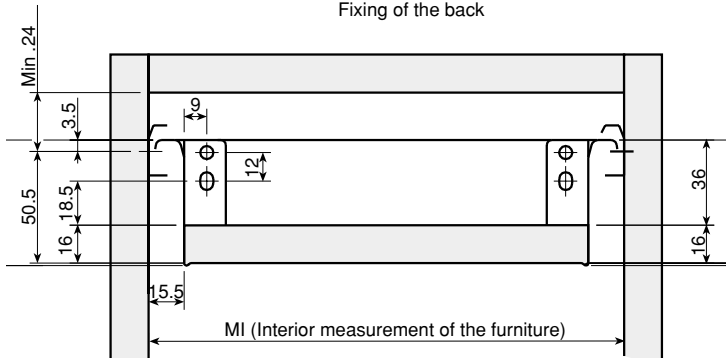


## Steel front fixing bracket for SUPRA- 86- 118- 150

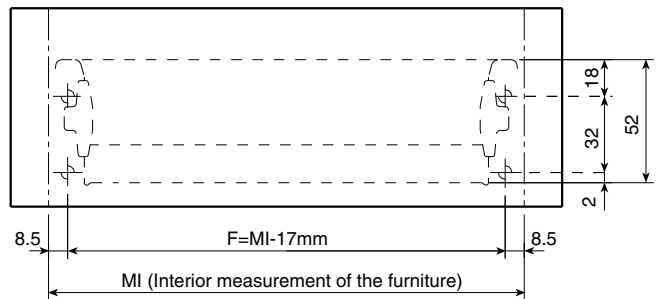


## "SUPRA 54"

Fixing of the back

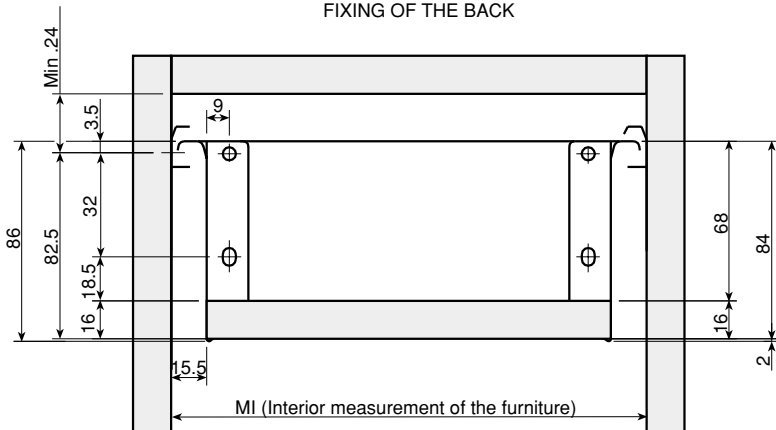


Fixing of the front

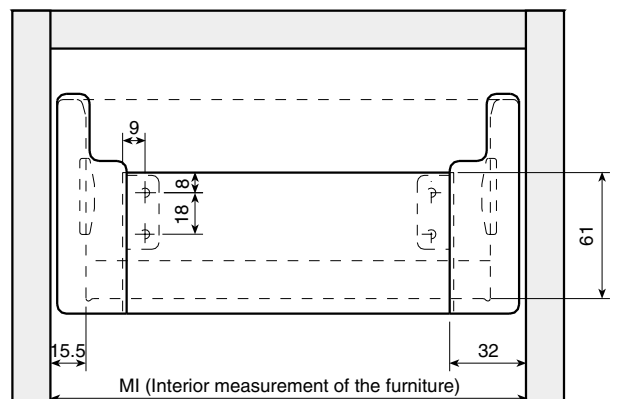


## "SUPRA 86", inner drawer

FIXING OF THE BACK



FIXING OF THE FRONT

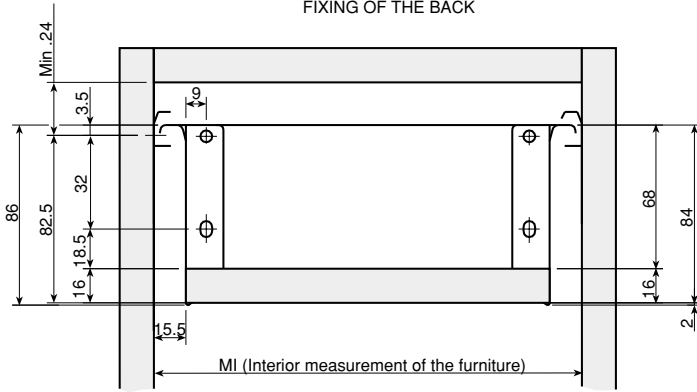




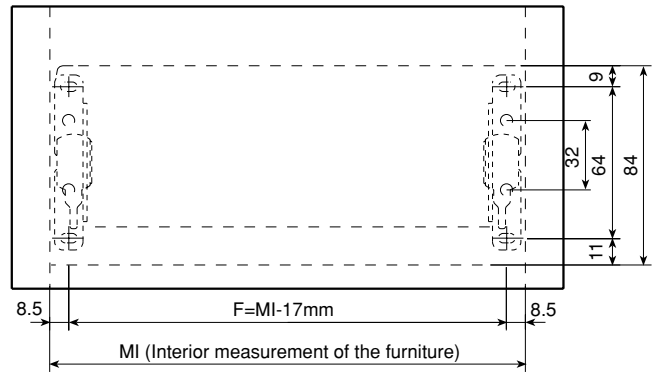
# SUPRA DRAWERS TECHNICAL DATA

## "SUPRA 86"

FIXING OF THE BACK

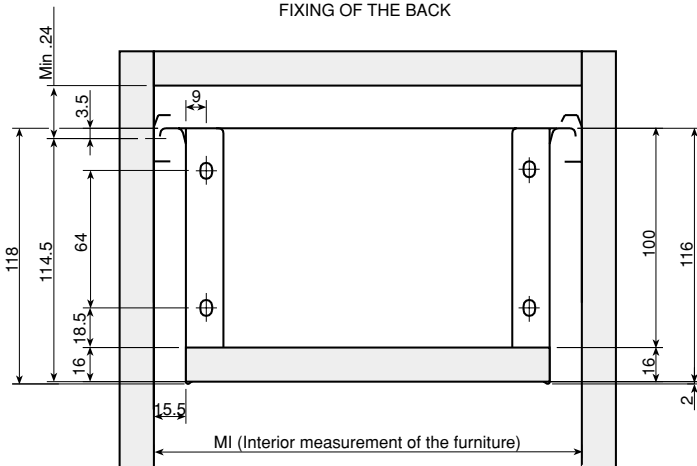


FIXING OF THE FRONT, C/64 mm

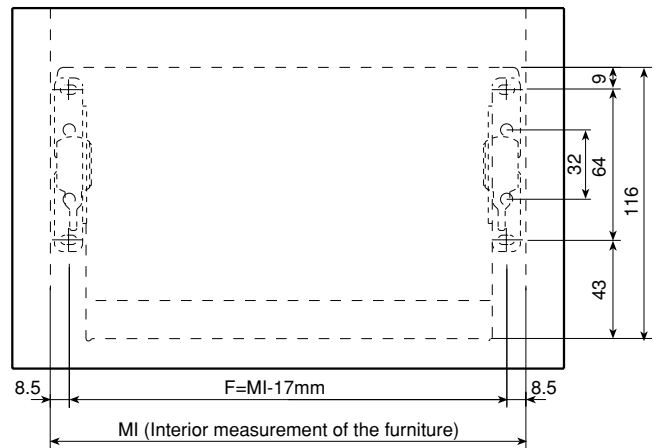


## "SUPRA 118"

FIXING OF THE BACK

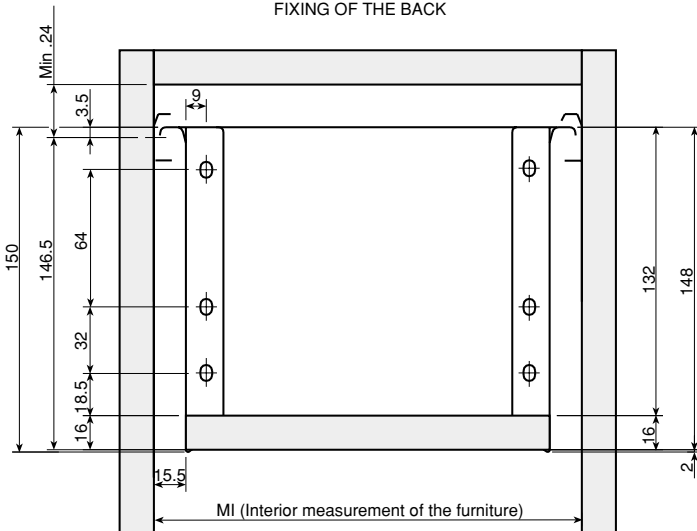


FIXING OF THE FRONT C/64 mm

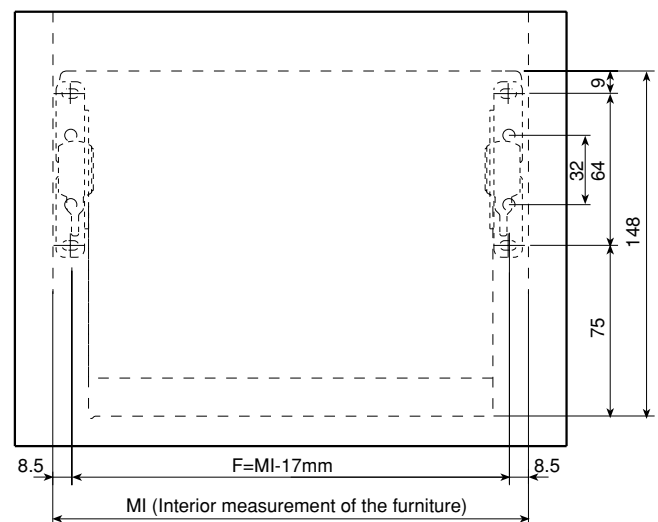


## "SUPRA 150"

FIXING OF THE BACK



FIXING OF THE FRONT C/64 mm





## SUPRA DRAWERS QUICK MOUNTING

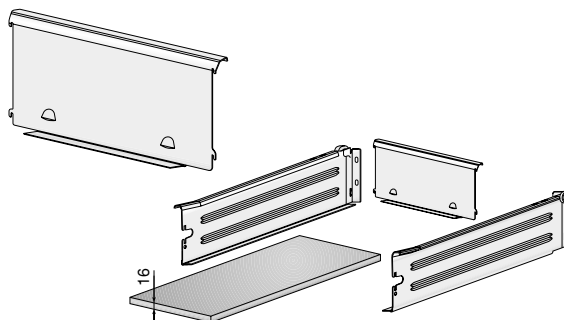


### **A** 86 mm. steel back for "SUPRA 86" and SUPRA- 86 "Quick mounting"

Module	White RAL 9001
300	654.030.005
350	654.035.001
400	654.040.004
450	654.045.000
500	654.050.003
600	654.060.002
900	654.090.006

Minimum order: 100 backs.

25

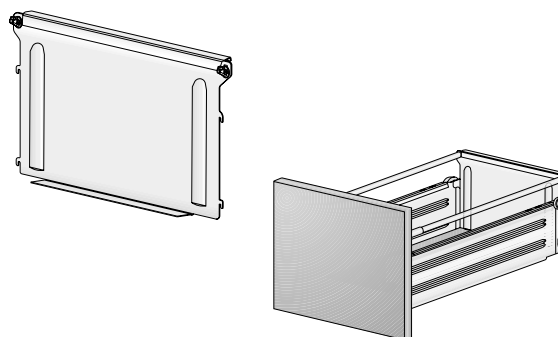


### **B** 150 mm. steel back for "SUPRA 86" and SUPRA- 86 "Quick mounting"

Module	White RAL 9001
300	654.130.002
350	654.135.005
400	654.140.001
450	654.145.004
500	654.150.000
600	654.160.006
900	654.190.003

Minimum order: 100 backs.

25



### **C** SUPRA- 86 "Quick mounting"

Loading	L	White RAL 9001
250 N. (25 kp.)	270	653.127.005
	350	653.135.000
	400	653.140.003
	450	653.145.006
	500	653.150.002
	550	653.155.005

Minimum order: 100 drawers.

100

