



cajón "OFFIBOX"

Ref. y Datos técnicos 2^a parte



4 DEPTHS AND 4 WIDTHS.
4 DIFFERENT COMPATIBLE RUNNERS.

“OFFIBOX”

Office metal drawer



office drawer

FULL RANGE.
4 DEPTHS AND 4 WIDTHS
DRAWER. 4 DIFFERENT
COMPATIBLE RUNNERS.
ADJUSTABLE FILING CABINET
SYSTEM FOR ALL PAPER FOR-
MATS.



90% STOCKABLE
OPTIMIZE TRANSPORT
AND WAREHOUSING.
ABOUT 450 DRAWERS
PER PALLET.

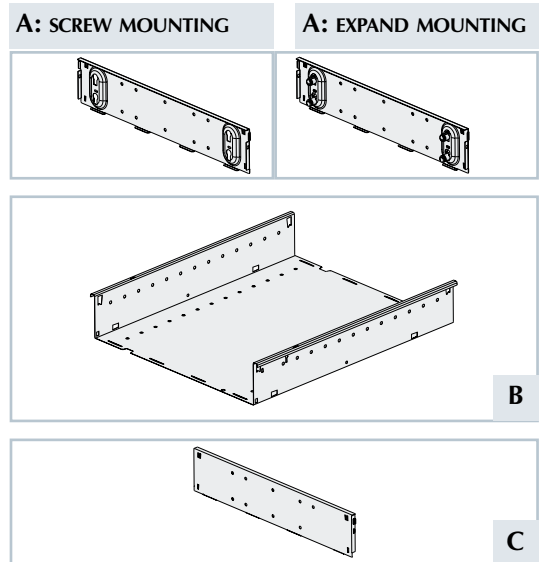
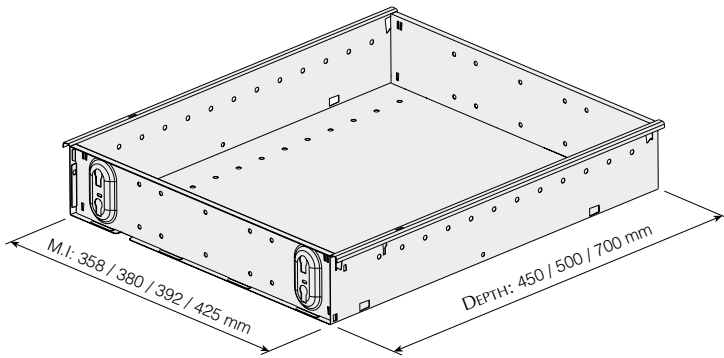


CENTRAL LOCKING:
SIMPLE, ANTI-TILT AND
DOUBLE SAFE UP TO 45
KG RUNNERS.



EXPAND FRONT
HOOKING DEVICE ± 2 MM
ADJUSTMENT BY
ECCENTRIC.

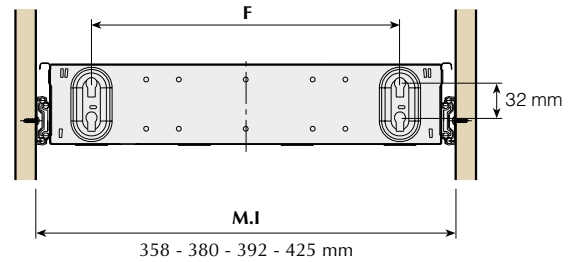
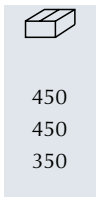
OFFICE METAL DRAWER
"OFFIBOX"



4 widths and 3 depths

M.I = 358 mm

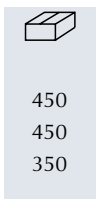
DEPTH	SINGLE*		PREMOUNTED EXPAND	
	GREY RAL 7040	BLACK RAL9011	GREY RAL 7040	BLACK RAL9011
450	650.045.314	650.045.023	651.045.312	651.045.021
500	650.050.310	650.050.026	651.050.315	651.050.024
700	650.070.315	650.070.024	651.070.313	651.070.022



EACH REF. INCLUDES A, B AND C COMPONENTS.
* SCREWS OR EXPAND FRONT HOOKING TO BE ORDERED SEPARATELY.

M.I = 380 mm

DEPTH	SINGLE*		PREMOUNTED EXPAND	
	GREY RAL 7040	BLACK RAL9011	GREY RAL 7040	BLACK RAL9011
450	650.145.311	650.145.020	651.145.316	651.145.025
500	650.150.314	650.150.023	651.150.312	651.150.021
700	650.170.312	650.170.021	651.170.310	651.170.026

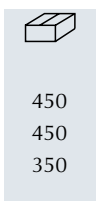


M.I	F
358	254
380	276
392	288
425	321

EACH REF. INCLUDES A, B AND C COMPONENTS.
* SCREWS OR EXPAND FRONT HOOKING TO BE ORDERED SEPARATELY.

M.I = 392 mm

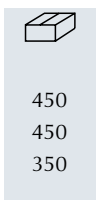
DEPTH	SINGLE*		PREMOUNTED EXPAND	
	GREY RAL 7040	BLACK RAL9011	GREY RAL 7040	BLACK RAL9011
450	650.245.315	650.245.024	651.245.313	651.245.022
500	650.250.311	650.250.020	651.250.316	651.250.025
700	650.270.316	650.270.025	651.270.314	651.270.023



EACH REF. INCLUDES A, B AND C COMPONENTS.
* SCREWS OR EXPAND FRONT HOOKING TO BE ORDERED SEPARATELY.

M.I = 425 mm

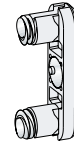
DEPTH	SINGLE*		PREMOUNTED EXPAND	
	GREY RAL 7040	BLACK RAL9011	GREY RAL 7040	BLACK RAL9011
450	650.345.312	650.345.021	651.345.310	651.345.026
500	650.350.315	650.350.024	651.350.313	651.350.022
700	650.370.313	650.370.022	651.370.311	651.370.020



EACH REF. INCLUDES A, B AND C COMPONENTS.
* SCREWS OR EXPAND FRONT HOOKING TO BE ORDERED SEPARATELY.

EXPAND FRONT HOOKING

	GREY RAL 7040	BLACK RAL 9011
1 SET	679.700.313	679.700.022



2 HOOKS PER SET.

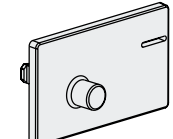
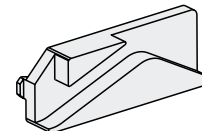
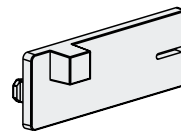
FRONT FIXING SCREWS

	SCREW Ø 4.5	EURO-SCREW Ø 6
ZINC PLATED	955.515.035	955.313.063

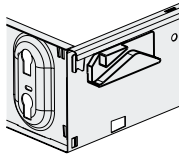


CENTRAL LOCK ADAPTER

	GREY RAL 7040	BLACK RAL 9011
A: SINGLE	662.925.314	662.925.023
B: ANTI-TILT	662.900.313	662.900.022
C: DOUBLE SAFE	662.950.315	662.950.024

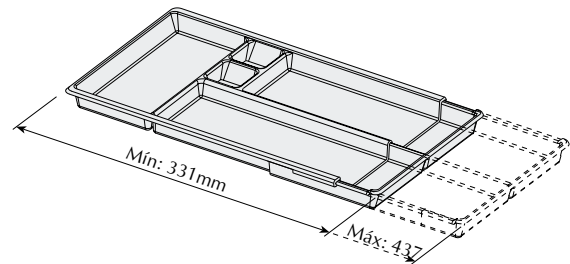


ASK FOR COMPATIBILITIES.



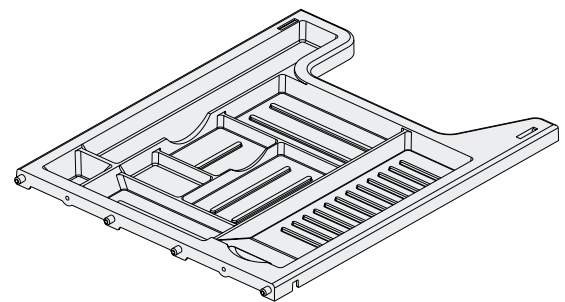
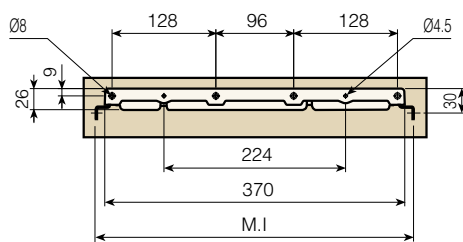
ADJUSTABLE INTERIOR TRAY

	GREY RAL 7040	BLACK RAL 9011
1 UD.	735.900.314	735.900.023



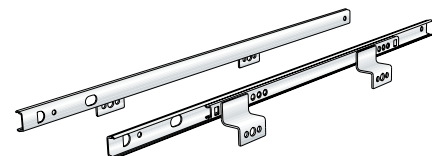
PEN TRAY

DRAWER DEPTH	GREY RAL 7040	BLACK RAL 9005
500	662.800.316	662.800.025

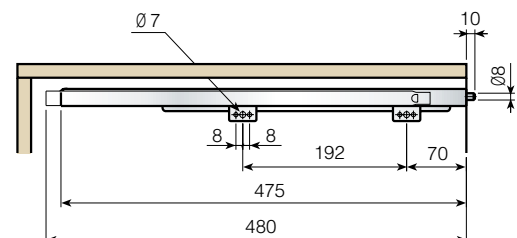
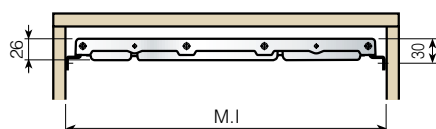


PEN TRAY RUNNERS

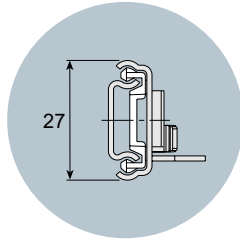
M.I	ZINC PLATED
380	779.380.755
392	779.392.751
425	779.425.754



1 SET PER REFERENCE.

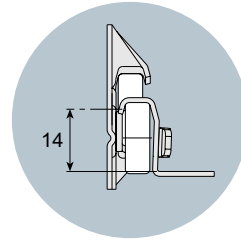


RUNNERS



L: 450, 500 mm

12 kg



L: 450, 500, 700 mm

25 kg

4 runners optio

BALL BEARING RUNNER CISNE 27

L	Ps	ZINC PLATED
450	83	778.345.751
500	83	778.350.753

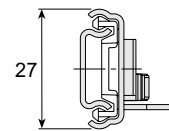
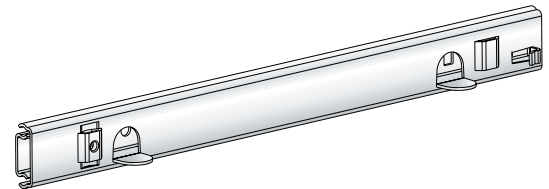


50

50

1 SET PER REFERENCE.

12 Kg



FIXING BOLT FOR CISNE 27

	ZINC PLATED
M4x7	730.507.035



1000



ROLLER RUNNER

L	Ps	GREY RAL 7040	BLACK RAL 9011
450	95	756.345.310	756.345.026
500	104	756.350.313	756.350.022
700	140	756.370.311	756.370.020



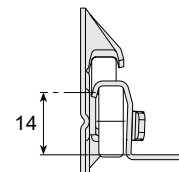
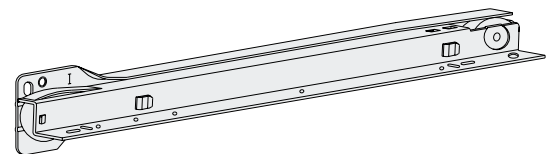
100

100

50

1 SET PER REFERENCE.

25 Kg

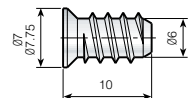


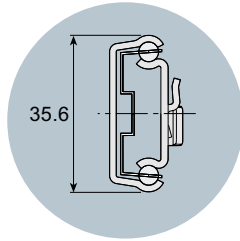
EURO-SCREW FOR ROLLER RUNNERS

	Ø7	Ø7.75
NICKELED	952.810.062	953.610.066



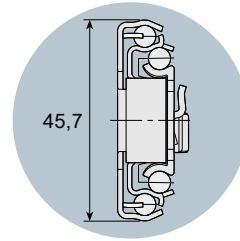
5000





L: 450, 500, 700 mm

30 kg



L: 450, 500, 700 mm

45 kg

ns per 1 drawer

BALL BEARING RUNNERS SINGLE EXTENSION CISNE 35

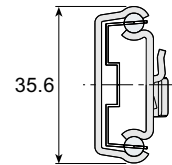
L	Ps	ZINC PLATED
450	105	778.445.754
500	125	778.450.750
700	175	778.470.755



20
20
20

1 SET PER REFERENCE.

SEPARATELY PACKED IN 20 UNITS BOXES.



30 Kg

BALL BEARING RUNNERS FULL EXTENSION CISNE 45

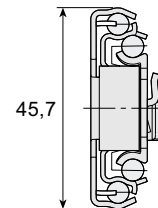
L	ZINC PLATED
450	778.745.752
500	778.750.755
700	778.770.753



10
10
10

1 SET PER REFERENCE.

SEPARATELY PACKED IN 20 UNITS BOXES.



45 Kg*

* FOR RUNNER L:450MM

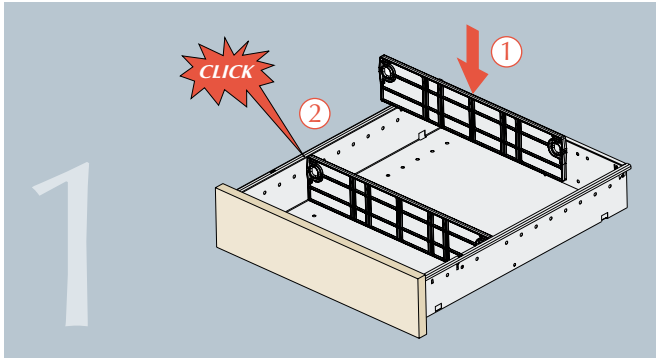


INDAUX

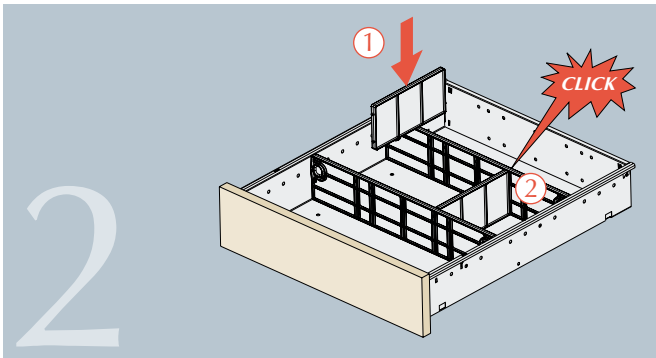
cajón "OFFIBOX"

Montaje

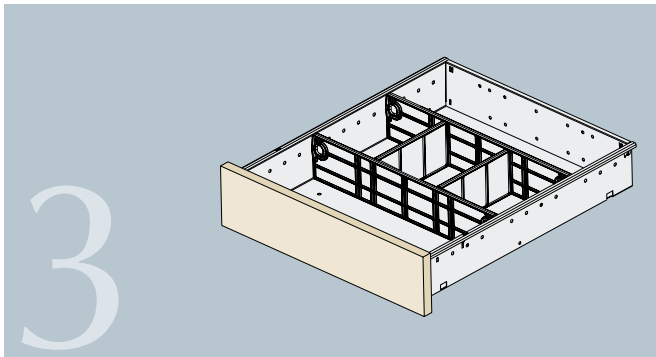
4^a parte



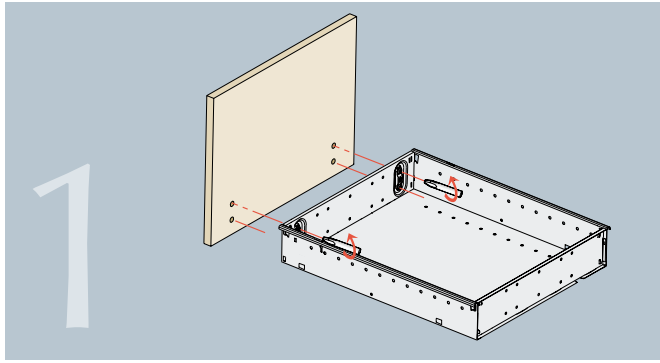
COLOCAR EL DIVISOR TRANSVERSAL, POSICIONANDO LOS PIVOTES EN LOS AGUJEROS LATERALES Y BASE DEL CAJÓN, LOS PIVOTES LATERALES FLEXAN HACIA EL INTERIOR POR SIMPLE PRESIÓN.



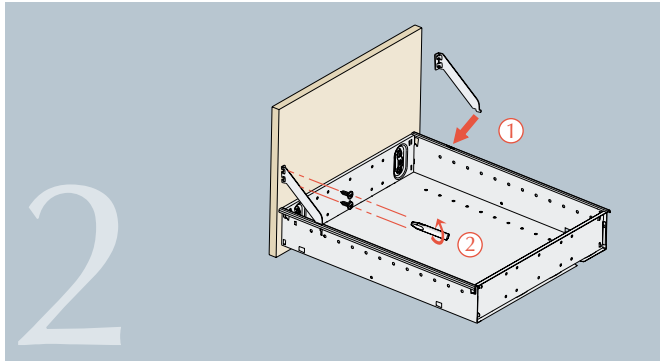
COLOCAR EL DIVISOR LONGITUDINAL ALINEÁNDOLO CON LOS CANALES DEL DIVISOR TRANSVERSAL.



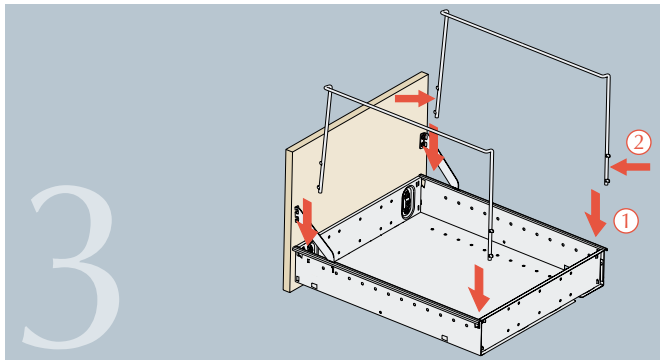
SEGÚN LOS DOCUMENTOS QUE SE DESEEN COLOCAR, SE BUSCARÁ LA DIVISIÓN ADECUADA.



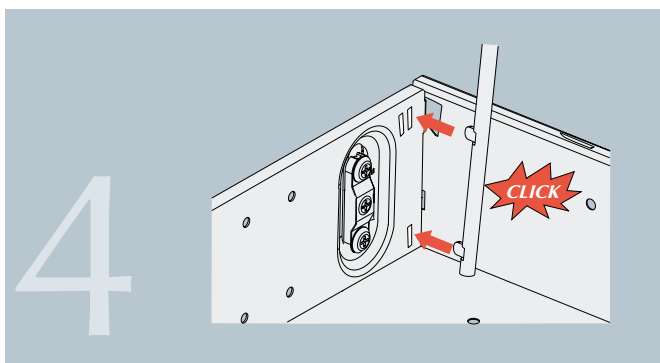
INTRODUCIR LOS ENGANCHES AL CAJÓN, BAJARLOS LIGÉRAMENTE Y COLOCAR EL FRENTE.



INTRODUCIR LA PARTE INFERIOR DEL TIRANTE FRONTAL, EN EL CAJÓN. MARCAMOS EN EL FRENTE DEL CAJÓN LA POSICIÓN DE LOS TIRAFONDOS. FIJAMOS EL TIRANTE FRONTAL.

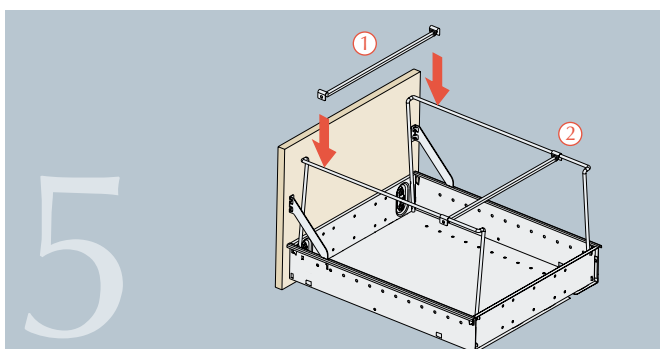


ALINEAR EL CERCO PORTA CARPETAS CON EL CAJÓN. PRESIONAR LIGÉRAMENTE EL CERCO HACIA DENTRO PARA ALOJARLO EN EL CAJÓN.



INTRODUCIR LAS DOS MUESCAS DEL CERCO PORTA CARPETAS EN LOS ALOJAMIENTOS DEL CAJÓN.

SEGÚN EL TIPO DE CARPETA QUE SE DESEE COLOCAR, SE COLOCARÁN LAS MUESCAS EN UNO U OTRO ALOJAMIENTO.



SEGÚN EL TIPO DE CARPETA QUE SE DESEE COLOCAR, SE COLOCARÁ EL SOPORTE TRANSVERSAL PORTA CARPETAS.

BASTA CON PRESIONAR LIGERAMENTE PARA QUE QUEDE ENCLAVADO EL SOPORTE TRANSVERSAL.



INDAUX

Industrias Auxiliares (INDAUX), S.A.

San Prudencio, s/n 20808 GETARIA (Guipúzcoa)
SPAIN.

Telf. +34 943.140.300

Fax. +34 943.140.534

Apto. Correos 132 - 20800 ZARAUTZ (Guipúzcoa)
ESPAÑA

E-mail: indaux@indaux.com

INDAUX UK Ltd.

MGA House
Ray Mill Road East
Maidenhead
Berkshire

United Kingdom SL6 8ST

Tel. +44 1628.780.250

Fax. +44 1628.780.251

E-mail: uk@indaux.com

INDAUX GmbH

Nickelstrasse 17
33378 Rheda-Wiedenbrück / Lintel
Deutschland

Tel. +49 5242 4060 75

Fax. +49 5242 4060 77

E-mail: deutschland@indaux.com

Para más información visite nuestra página web o
envíenos un e-mail:

Web: www.indaux.com

E-mail: info@indaux.com



ISO 9001