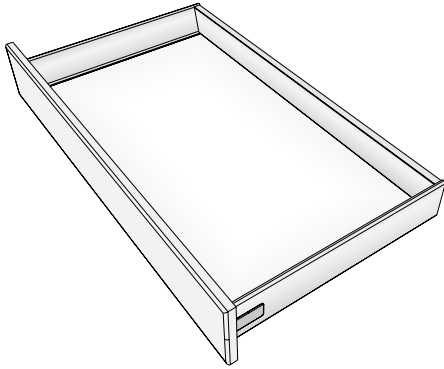




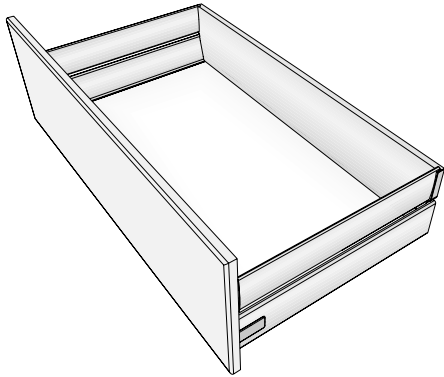
## "ATTRACTION" DRAWER

Twin-walled steel drawer with full extension 50 Kgs load bearing runners and soft-closing system. It's ideal for use in winder drawer cabinet. The entire Attraction drawer programme offers a wide range of accessories.



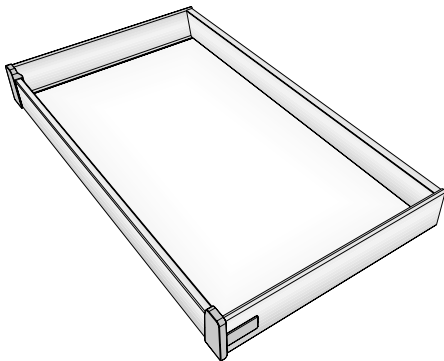
**DRAWER**

- ... with a Steel back
- ... with a Chipboard back
- ... with a Cutlery insert
- ... with a Knife rack
- ... with a Spice jar rack
- ... with Dividing accessories



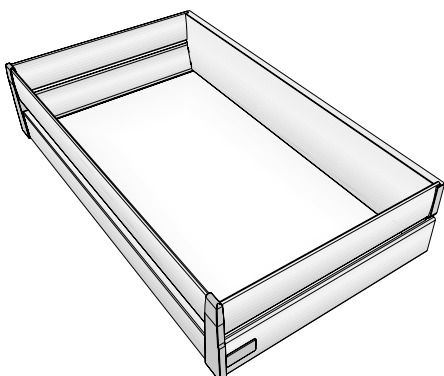
**PAN DRAWER**

- ... with a Steel back
- ... with a Chipboard back
- ... with Pan dividers
- ... with Plate dividers



**INTERIOR DRAWER**

- ... with a Steel back
- ... with a Chipboard back
- ... with Dividing sets

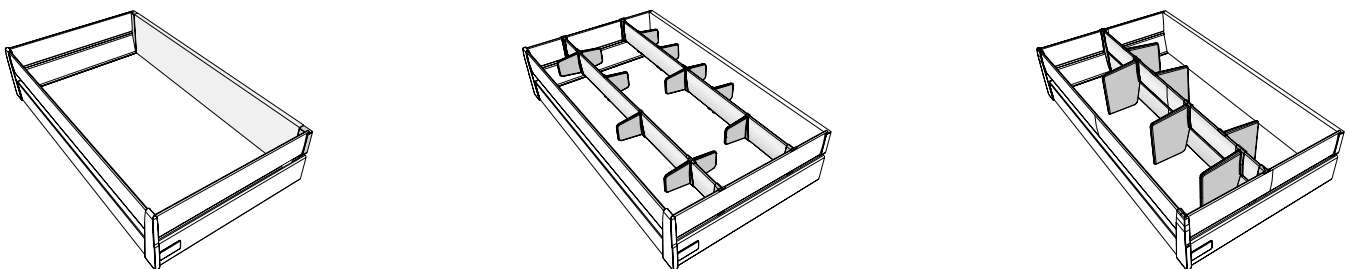
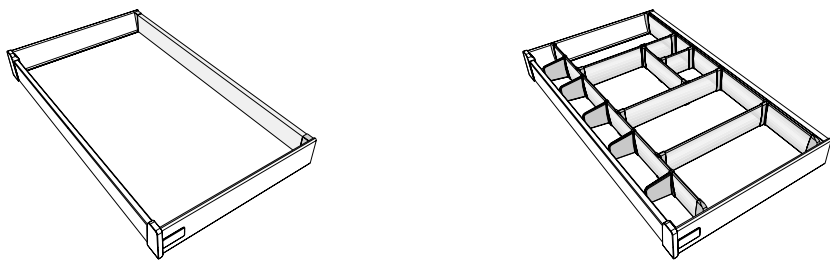
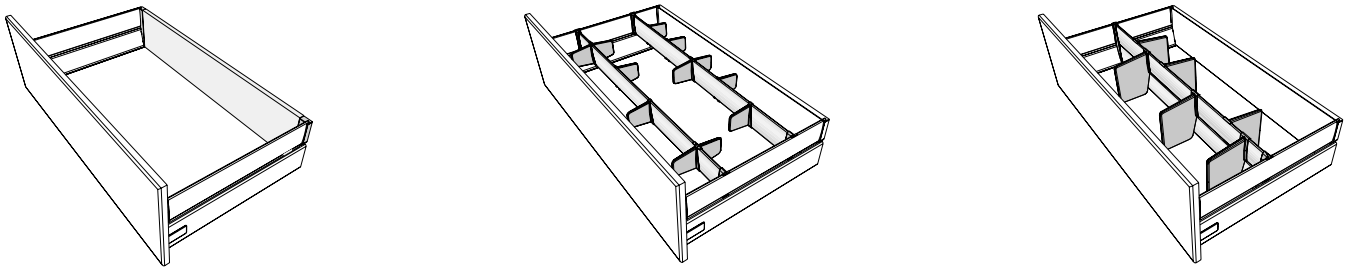
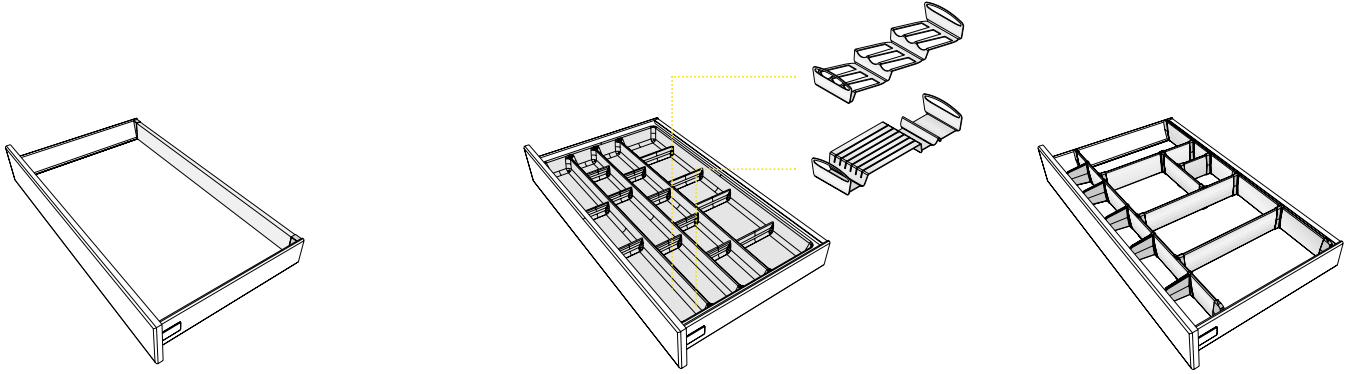


**DOUBLE HEIGHT INTERIOR DRAWER**

- ... with a Steel back
- ... with a Chipboard back
- ... with Pan dividers
- ... with Plate dividers



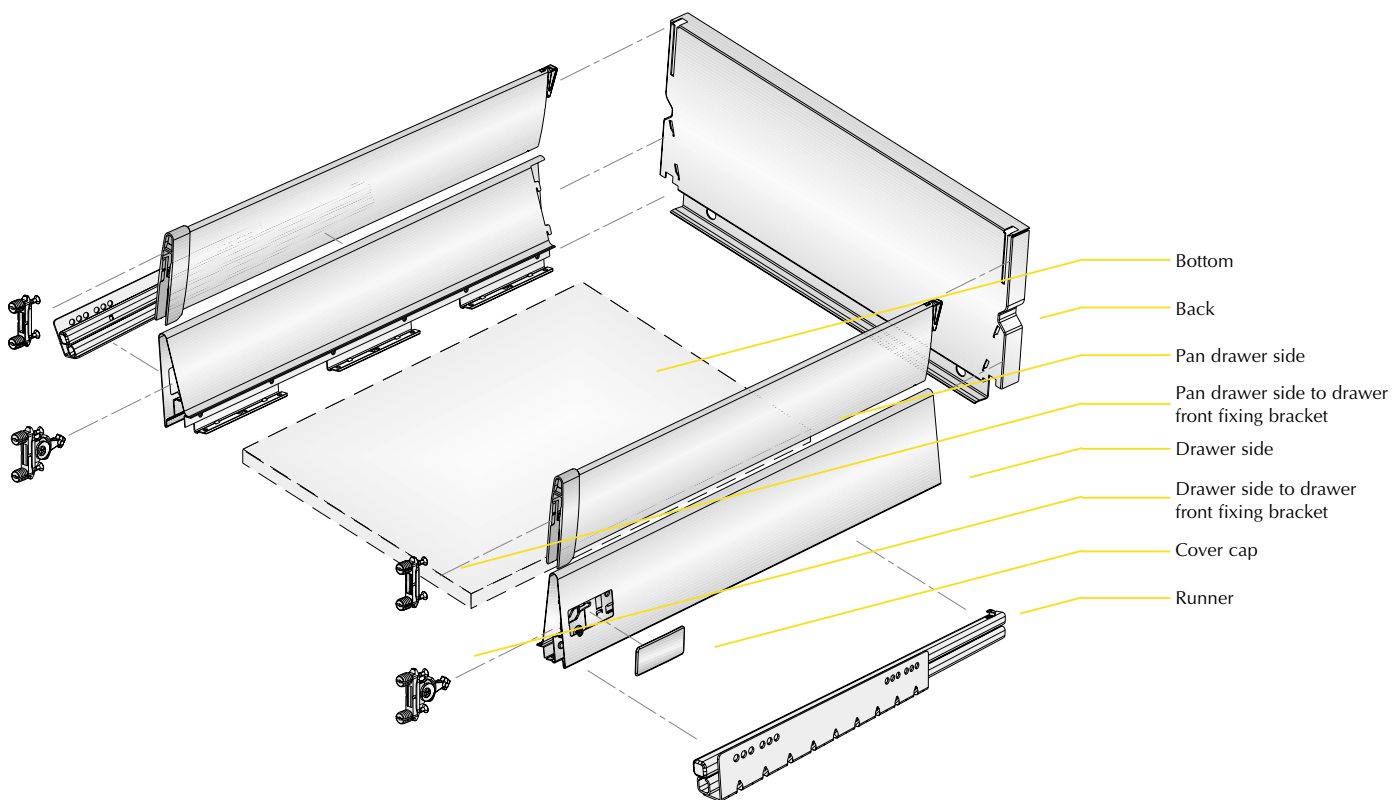
# the complete range





# “ATTRACTION” DRAWER DRAWER COMPONENTS

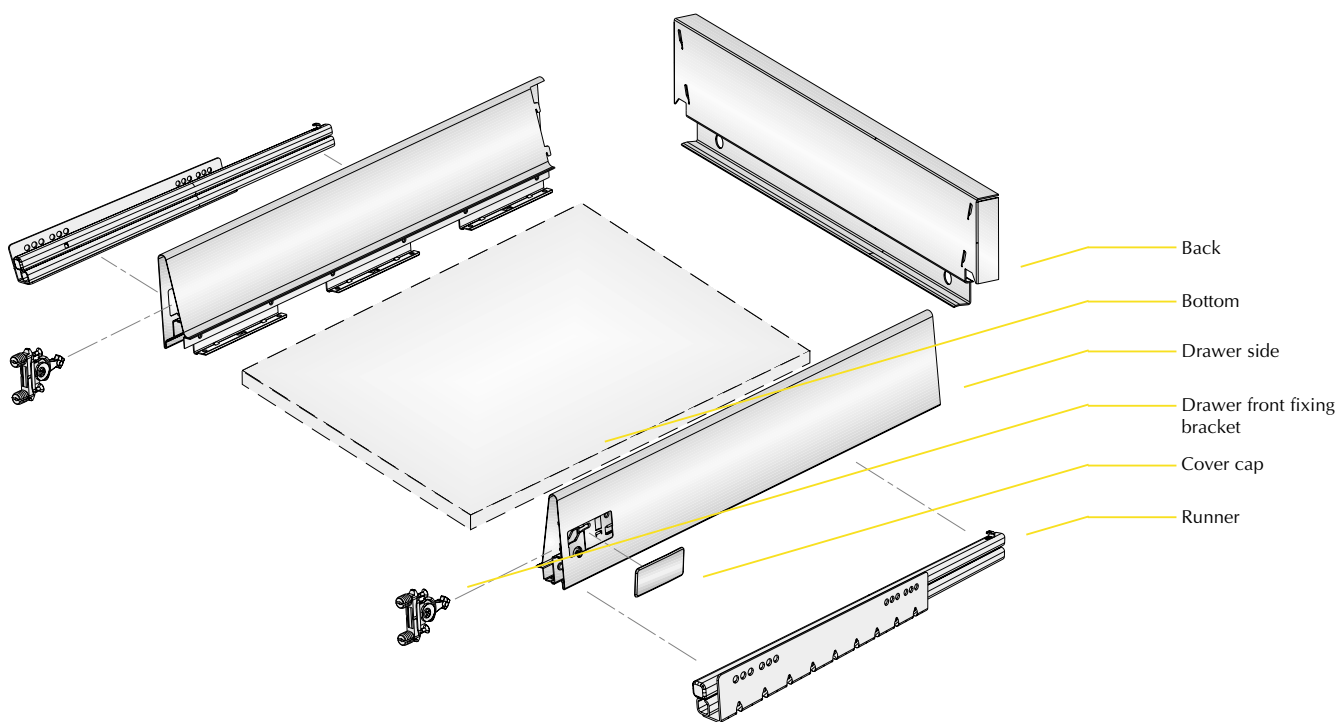
## Pan drawer components





# “ATTRACTION” DRAWER DRAWER COMPONENTS

## Standard height drawer components





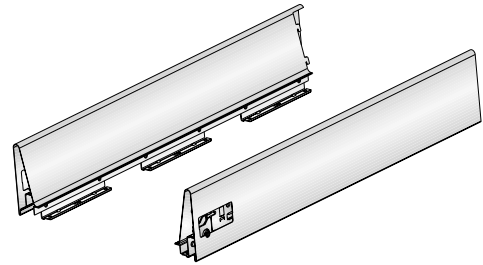
# “ATTRACTION” DRAWER DRAWER COMPONENTS



## A Drawer sides

Length	Stainless steel	Metallic grey
250	657.025.106	657.025.143
300	657.030.102	657.030.146
350	657.035.105	657.035.142
400	657.040.101	657.040.145
480	657.048.103	657.048.140
600	657.060.106	657.060.143

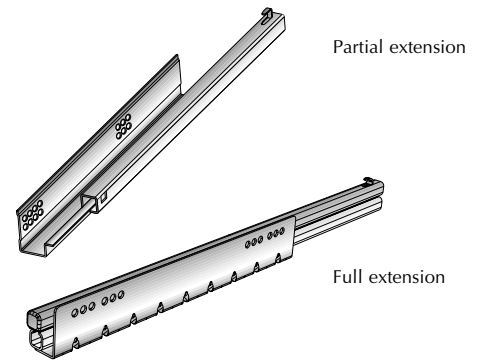
20



## B Runner

Length	Partial extension		Full extension 50Kg.	
	25Kg.	A	A	B
250	655.825.030	657.525.035	659.525.031	
300	655.830.033	657.530.031	659.530.034	
350	655.835.036	657.535.034	659.535.030	
400	655.840.032	657.540.030	659.540.033	
480	655.848.034	657.548.032	659.548.035	
520 (*)	657.852.031			
600	655.860.030	657.560.035	659.560.031	

10

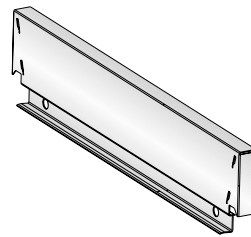


(\*) This runner is used with the 480mm drawer side to obtain additional extension.  
A: Without a built-in hydraulic soft-closing device.  
B: With a built-in hydraulic soft-closing device.

## C Standard height steel back

Cabinet width	Metallic grey	
	16mm side panels	19mm side panels
300	657.230.140	656.230.142
350	657.235.143	656.235.145
400	657.240.146	656.240.141
450	657.245.142	656.245.144
500	657.250.145	656.250.140
550	657.255.141	656.255.143
600	657.260.144	656.260.146
800	657.280.142	656.280.144
900	657.290.141	656.290.143
1000	657.291.143	656.291.145
1200	657.299.145	656.299.140

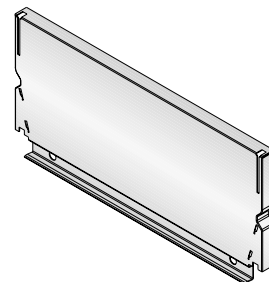
20



## D Pan drawer height steel back

Cabinet width	Metallic grey	
	16mm side panels	19mm side panels
300	657.330.144	656.330.146
350	657.335.140	656.335.142
400	657.340.143	656.340.145
450	657.345.146	656.345.141
500	657.350.142	656.350.144
550	657.355.145	656.355.140
600	657.360.141	656.360.143
800	657.380.146	656.380.141
900	657.390.145	656.390.140
1000	657.391.140	656.391.142
1200	657.399.142	656.399.144

20





# “ATTRACTION” DRAWER DRAWER COMPONENTS

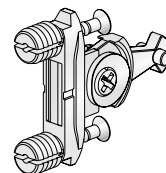


## A Dowel-fix drawer front fixing brackets

1 pair	658.000.103
--------	-------------

100

Each reference consists of 2 brackets with expansion screws pre-mounted.

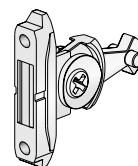


## B Screw-fix drawer front fixing brackets

1 pair	658.050.105
--------	-------------

100

Each reference consists of 2 brackets.

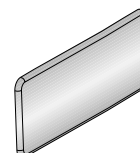


## C Cover caps

	Grey
1 pair	657.900.143

100

Each reference consists of 2 cover caps.

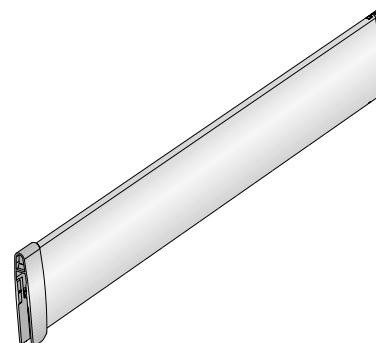


## D Pan drawer extension sides

Length	Stainless steel	Metallic grey
250	658.325.102	658.325.146
300	658.330.105	658.330.142
350	658.335.101	658.335.145
400	658.340.104	658.340.141
480	658.348.106	658.348.143
600	658.360.102	658.360.146

20

Each reference consists of 2 pan drawer extension sides.

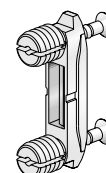


## E Pan drawer side to drawer front dowel-fix brackets

1 pair	658.100.100
--------	-------------

100

Each reference consists of 2 brackets with expansion screws pre-mounted.



## F Pan drawer side to drawer front screw-fix brackets

1 pair	658.150.102
--------	-------------

100



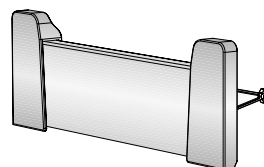


# “ATTRACTION” DRAWER INTERIOR DRAWER



## A Standard height drawer front for internal drawers 20

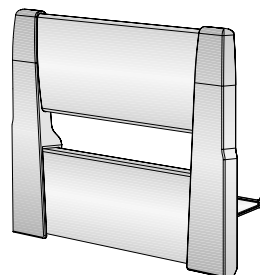
Cabinet width	Stainless steel		Metallic grey	
	16mm side panels	19mm side panels	16mm side panels	19mm side panels
300	660.230.104	660.430.105	660.230.141	660.430.142
350	660.235.100	660.435.101	660.235.144	660.435.145
400	660.240.103	660.440.104	660.240.140	660.440.141
450	660.245.106	660.445.100	660.245.143	660.445.144
500	660.250.102	660.450.103	660.250.146	660.450.140
550	660.255.105	660.455.106	660.255.142	660.455.143
600	660.260.101	660.460.102	660.260.145	660.460.146
800	660.280.106	660.480.100	660.280.143	660.480.144
900	660.290.105	660.490.106	660.290.142	660.490.143
1000	660.291.100	660.491.101	660.291.144	660.491.145
1200	660.299.102	660.499.103	660.299.146	660.499.140



Each reference consists of 1 L/H end adaptor, 1 R/H end adaptor and 1 front panel, together with the respective fixing brackets. All pre-assembled.

## B Double height drawer front for internal drawers 10

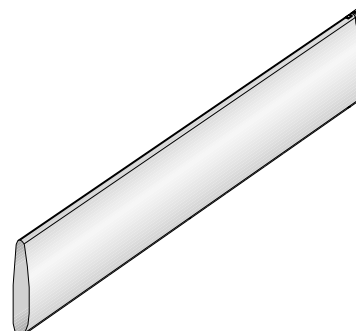
Cabinet width	Stainless steel		Metallic grey	
	16mm side panels	19mm side panels	16mm side panels	19mm side panels
300	660.330.101	660.530.102	660.330.145	660.530.146
350	660.335.104	660.535.105	660.335.141	660.535.142
400	660.340.100	660.540.101	660.340.144	660.540.145
450	660.345.103	660.545.104	660.345.140	660.545.141
500	660.350.106	660.550.100	660.350.143	660.550.144
550	660.355.102	660.555.103	660.355.146	660.555.140
600	660.360.105	660.560.106	660.360.142	660.560.143
800	660.380.103	660.580.104	660.380.140	660.580.141
900	660.390.102	660.590.103	660.390.146	660.590.140
1000	660.391.104	660.591.105	660.391.141	660.591.142
1200	660.399.106	660.599.100	660.399.143	660.599.144



Each reference consists of 1 L/H end adaptor, 1 R/H end adaptor and 1 double height front panel, together with the respective fixing brackets. All pre-assembled.

## C Pan drawer extension sides for interior drawers 20

Length	Stainless steel	Metallic grey
250	658.225.105	658.225.142
300	658.230.101	658.230.145
350	658.235.104	658.235.141
400	658.240.100	658.240.144
480	658.248.102	658.248.146
600	658.260.105	658.260.142



20 pairs per box.



# “ATTRACTION” DRAWER ACCESSORIES FOR PAN DRAWER



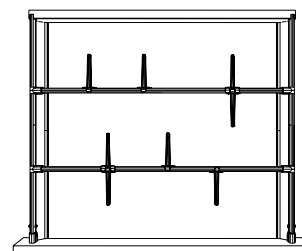
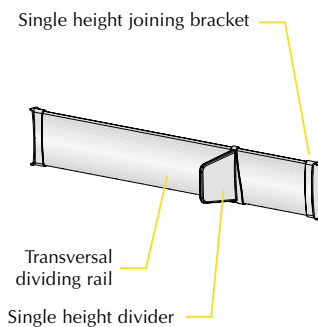
## A Basic dividing kit. Pan drawer.

10

Cabinet width	Pan drawer sides	Joining bracket	Divider	Stainless steel		Grey metallic	
				16mm side panels	19mm side panels	16mm side panels	19mm side panels
300	3	6	7	660.630.106	660.830.100	660.630.143	660.830.144
350	3	6	9	660.635.102	660.835.103	660.635.146	660.835.140
400	3	6	9	660.640.105	660.840.106	660.640.142	660.840.143
450	3	6	9	660.645.101	660.845.102	660.645.145	660.845.146
500	2	4	8	660.650.104	660.850.105	660.650.141	660.850.142
550	2	4	8	660.655.100	660.855.101	660.655.144	660.855.145
600	2	4	8	660.660.103	660.860.104	660.660.140	660.860.141
800	2	4	12	660.680.101	660.880.102	660.680.145	660.880.146
900	2	4	12	660.690.100	660.890.101	660.690.144	660.890.145
1000	2	4	16	660.691.102	660.891.103	660.691.146	660.891.140
1200	2	4	16	660.699.104	660.899.105	660.699.141	660.899.142

Each reference consists of a pair of pan drawer sides and standard height joining brackets and dividers.  
All pre-assembled.

**PLEASE NOTE:** These accessories are ideal for the storing of pots and pans, as well as storage jars.



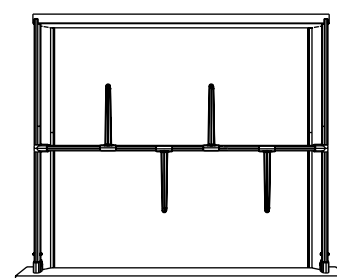
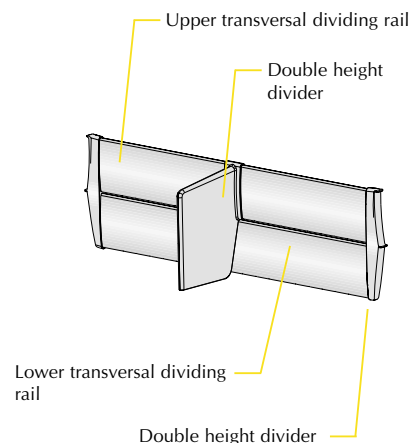
## B Double dividing kit. Crockery drawer.

10

Cabinet width	Divider	Stainless steel		Grey metallic	
		16mm side panels	19mm side panels	16mm side panels	19mm side panels
300	2	660.730.103	660.930.104	660.730.140	660.930.141
350	2	660.735.106	660.935.100	660.735.143	660.935.144
400	3	660.740.102	660.940.103	660.740.146	660.940.140
450	3	660.745.105	660.945.106	660.745.142	660.945.143
500	4	660.750.101	660.950.102	660.750.145	660.950.146
550	4	660.755.104	660.955.105	660.755.141	660.955.142
600	4	660.760.100	660.960.101	660.760.144	660.960.145
800	6	660.780.105	660.980.106	660.780.142	660.980.143
900	6	660.790.104	660.990.105	660.790.141	660.990.142
1000	6	660.791.106	660.991.100	660.791.143	660.991.144
1200	8	660.799.101	660.999.102	660.799.145	660.999.146

Each reference consists of 1 upper transversal rail, 1 lower transversal rail and 2 double height joining brackets and dividers.  
All pre-assembled.

**PLEASE NOTE:** These accessories are ideal for storage of crockery and trays, as the double height prevents items from sliding during the opening and closing of the drawers.







# “ATTRACTION” DRAWER

## ACCESSORIES FOR STANDARD HEIGHT DRAWERS AND INTERIOR DRAWERS

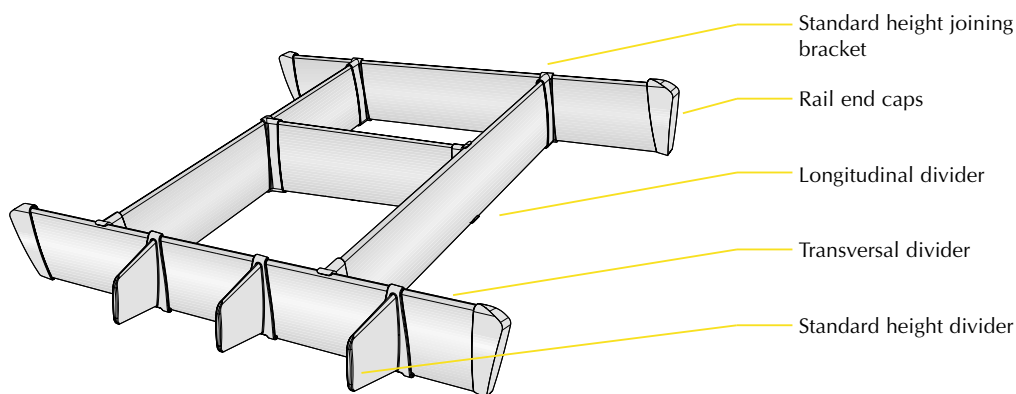


### A Dividing kit

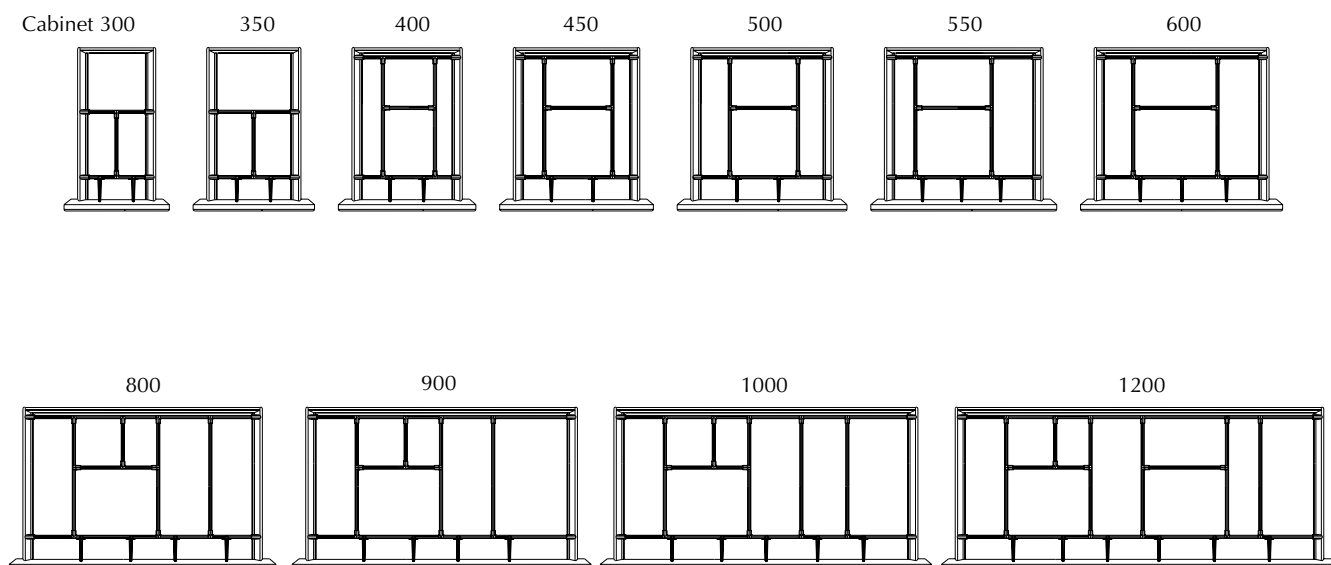
10

Cabinet width	Stainless steel		Metallic grey	
	16mm side panels	19mm side panels	16mm side panels	19mm side panels
300	656.630.100	656.730.104	656.630.144	656.730.141
350	656.635.103	656.735.100	656.635.140	656.735.144
400	656.640.106	656.740.103	656.640.143	656.740.140
450	656.645.102	656.745.106	656.645.146	656.745.143
500	656.650.105	656.750.102	656.650.142	656.750.146
550	656.655.101	656.755.105	656.655.145	656.755.142
600	656.660.104	656.760.101	656.660.141	656.760.145
800	656.680.102	656.780.106	656.680.146	656.780.143
900	656.690.101	656.790.105	656.690.145	656.790.142
1000	656.691.103	656.791.100	656.691.140	656.791.144
1200	656.699.105	656.799.102	656.699.142	656.799.146

Each reference consists of transversal and longitudinal rails, standard height joining brackets, standard height dividers and rail end caps.



### Layout schemes



**PLEASE NOTE:** The minimum drawer depth required to use these accessories is 480mm.



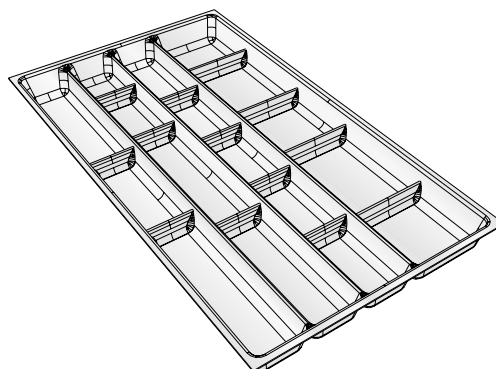
# “ATTRACTION” DRAWER ACCESSORIES



## A 480mm deep cutlery inserts with dividers

Cabinet width	Short divider	Long divider	Grey metallic
300	3		659.630.145
350	2	2	659.635.141
400	2	2	659.640.144
450	3	2	659.645.140
500	3	2	659.650.143
550	4	2	659.655.146
600	4	2	659.660.142
800	9	4	659.680.140
900	9	4	659.690.146
1000	9	4	659.691.141
1200	12	5	659.699.143

10

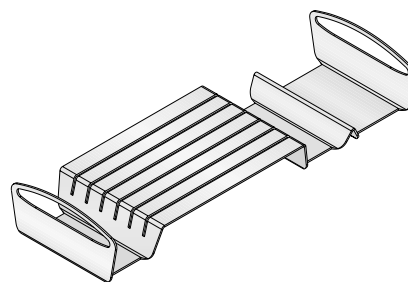


Each reference consists of 1 cutlery insert with the corresponding bag of dividers.

## B Knife rack

	Anodised matt silver
1 piece	656.900.101

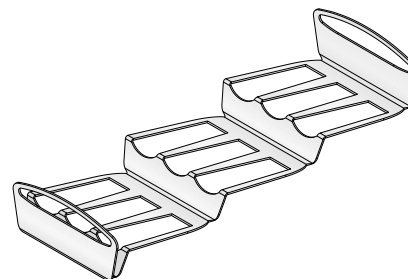
1



## C Spice rack

	Anodised matt silver
1 piece	656.950.103

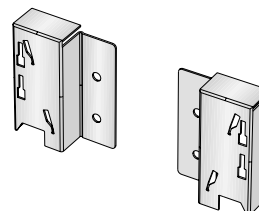
1



## D Back adaptor for made-to-measure standard height backs

	Metallic grey
1 piece	657.700.142

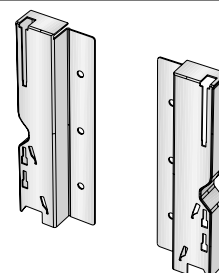
40



## E Back adaptor for made-to-measure double height backs

	Metallic grey
1 piece	657.800.146

40





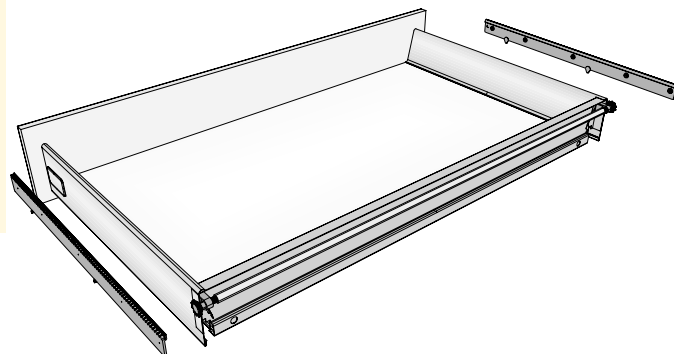
# “ATTRACTION” DRAWER LATERAL DRAWER STABILISER



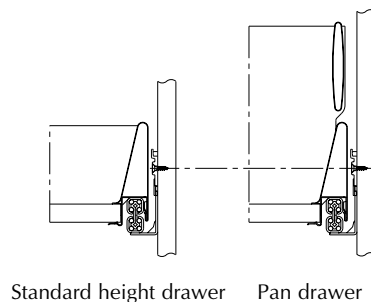
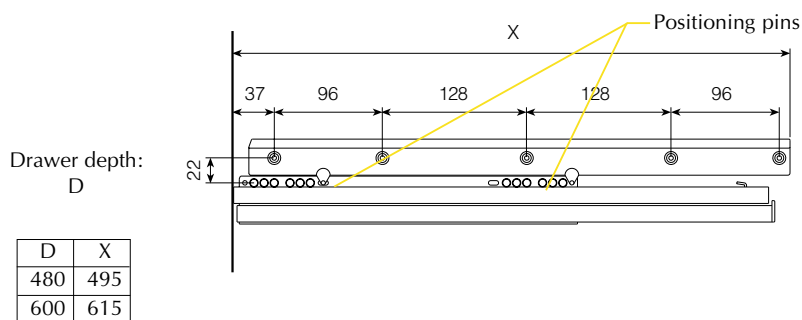
## A Lateral drawer stabiliser

Cabinet width	Grey	
	D: 480mm	D: 600mm
800	654.880.144	655.080.145
900	654.890.143	655.090.144
1000	654.891.145	655.091.146
1200	654.899.140	655.099.141

10



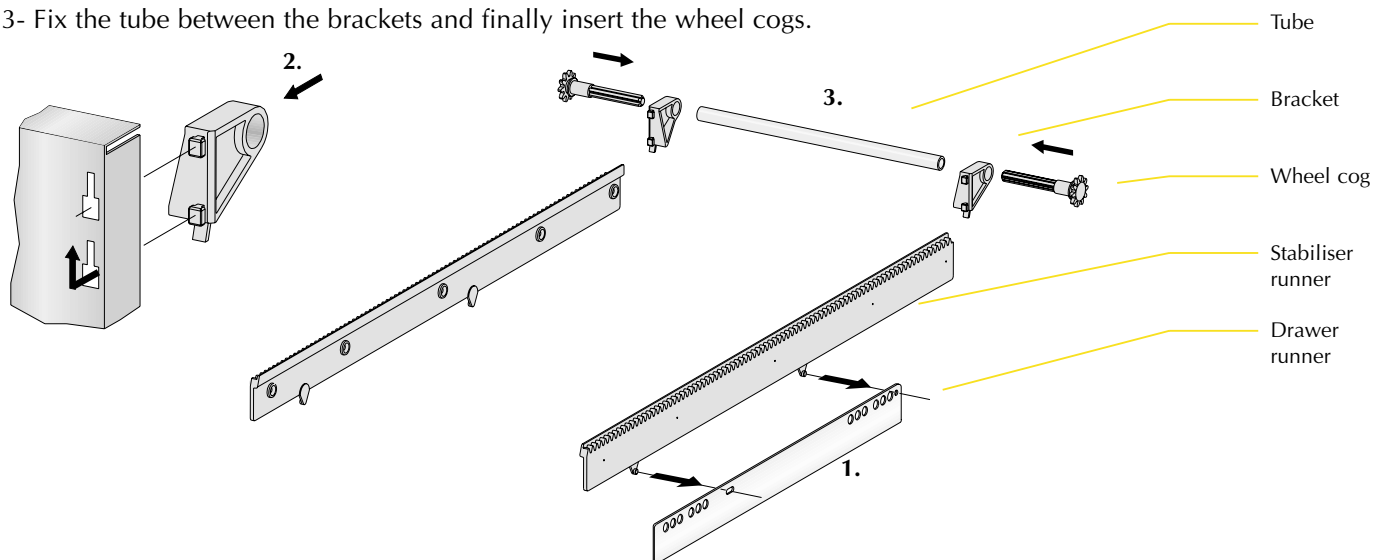
Each reference consists of 1 L/H stabiliser runner, 1 R/H stabiliser runner, 2 wheel cogs, 1 L/H bracket, 1 R/H bracket and 1 tube. All parts are supplied loose.



Please note: For special size drawers, select the reference of the nearest size up and cut the tube to the internal width of the cabinet, less 50mm.

## Assembly instructions

- 1- Position the stabiliser runner onto the drawer runner which is already fitted to the cabinet and then fix to the cabinet side with screws.
- 2- Fix the L/H and R/H brackets to the corresponding sides of the drawer back.
- 3- Fix the tube between the brackets and finally insert the wheel cogs.





## “ATTRACTION” DRAWER SOFT-CLOSING SYSTEM



### A Drawer assembly jig

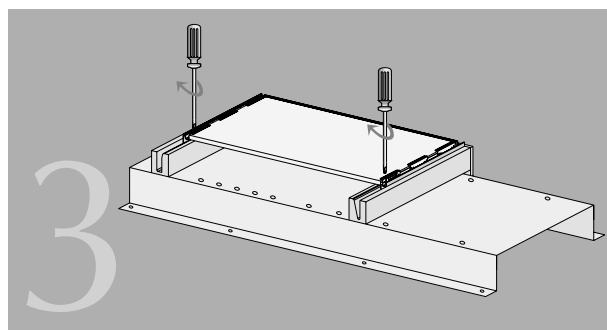
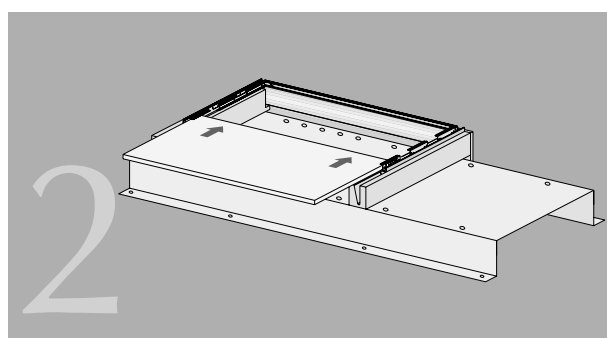
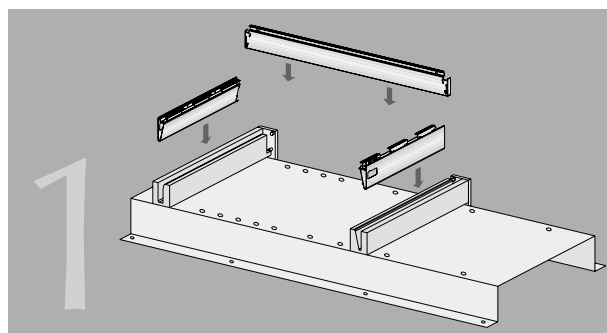
1 jig | 752.900.105

1

Quick and easy manual assembly.  
Simply locate the components in  
the corresponding positions.

The drawer bottom is introduced.

By simply screwing the drawer bot-  
tom to the sides, the drawer is fully  
assembled.





# "ATTRACTION" DRAWER PACKS



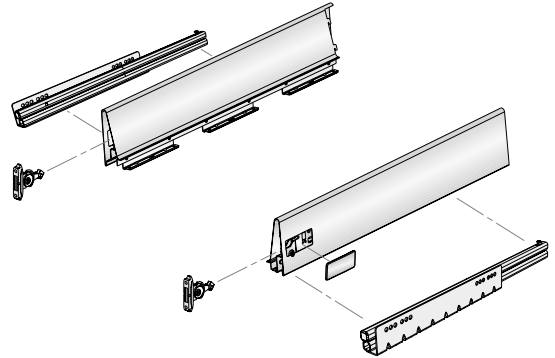
## A Basic pack

Depth	Inox	Silver gray
480	656.148.102	656.148.146

One cardbox containing:

- 1 Set of 50 kgs full extension runners with integrated soft closing (hydraulic),
- 2 laterals,
- 2 front hooking (screw mounting),
- 2 covers (set),
- 1 assembling instructions.

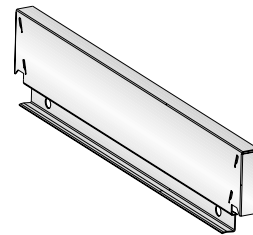
160



## B Second pack 1: Short back

Cabinet	16mm chipboard	Silver gray
300		655.130.140
350		655.135.143
400		655.140.146
450		655.145.142
500		655.150.145
550		655.155.141
600		655.160.144
800		655.180.142
900		655.190.141
1000		655.191.143
1200		655.199.145

36  
36  
36  
24  
24  
24  
24  
12  
12  
12  
12

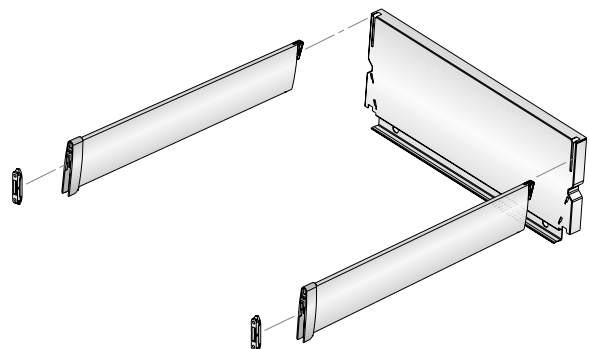


Each part number refers to 1 single drawer back individually packed.

## C Second pack 2: Pan drawer

Cabinet	16mm chipboard	Inox	Silver gray
300		655.230.100	655.230.144
350		655.235.103	655.235.140
400		655.240.106	655.240.143
450		655.245.102	655.245.146
500		655.250.105	655.250.142
550		655.255.101	655.255.145
600		655.260.104	655.260.141
800		655.280.102	655.280.146
900		655.290.101	655.290.145
1000		655.291.103	655.291.140
1200		655.299.105	655.299.142

7  
7  
7  
7  
7  
7  
7  
5  
5  
5  
5



Containing:

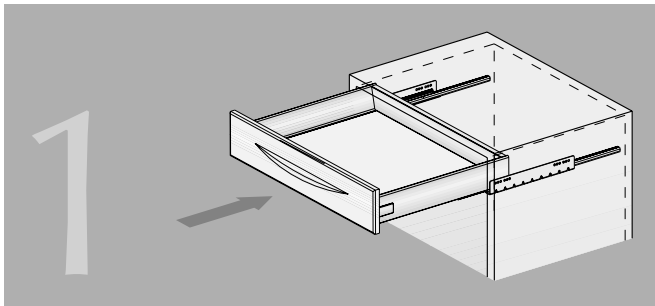
- 1 high back (silver gray only),
  - 2 extension sides (silver gray or inox, optional),
  - 2 front fixing (screw mounting).
- Sizes 800 to 1200 provide holes for lateral stabilizer (see "A" pág 124)



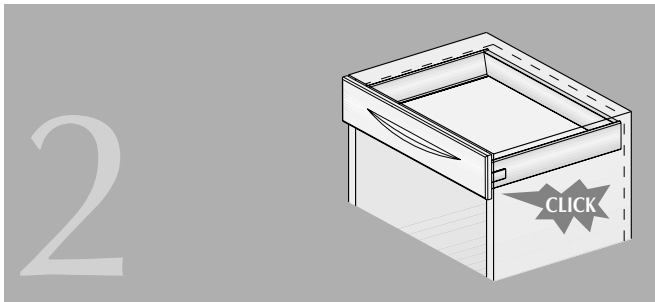


## “ATTRACTION” DRAWER ASSEMBLY AND ADJUSTMENT

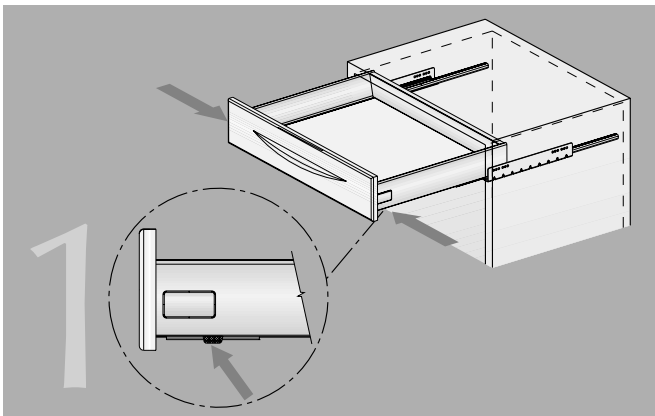
### Drawer assembly



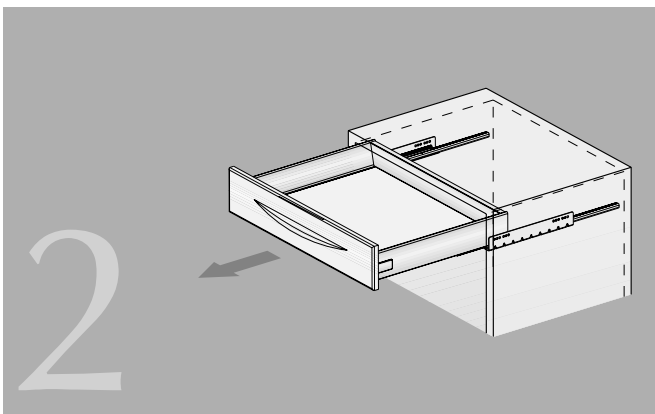
Quick and simple manual assembly. Place the drawer on the runners and close it. The drawer itself will automatically click to the runner.



### Drawer disassembly



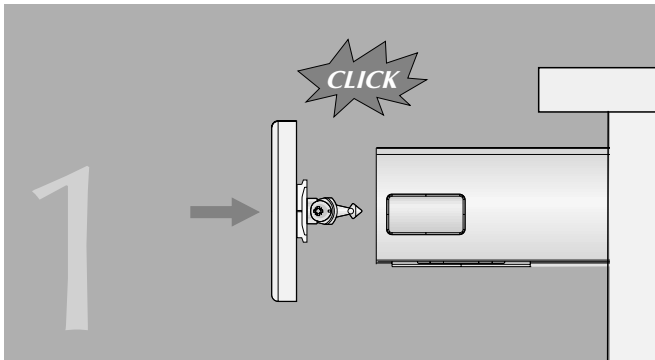
Unclick both sides simultaneously to pull the drawer out.





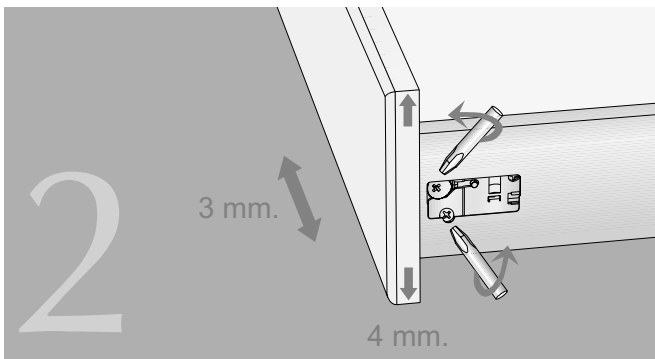
## “ATTRACTION” DRAWER ASSEMBLY AND ADJUSTMENT

### Drawer front assembly



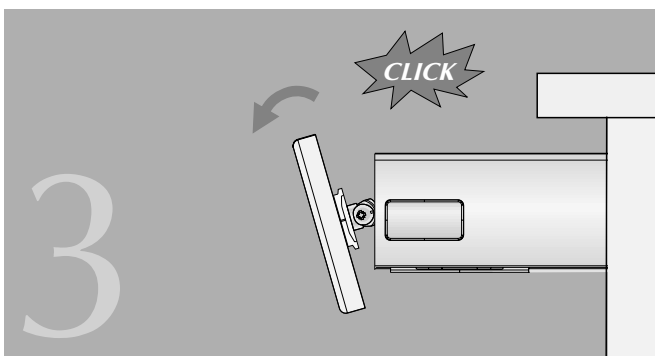
The drawer front only needs to be pushed gently onto the drawer sides. The system will lock the drawer front into its sprung fixing position.

### Drawer front alignment



Precision and time saving when adjusting the drawer front

### Removal of the drawer front



To remove, tilt and pull the drawer front firmly, which will release the sprung fixing.

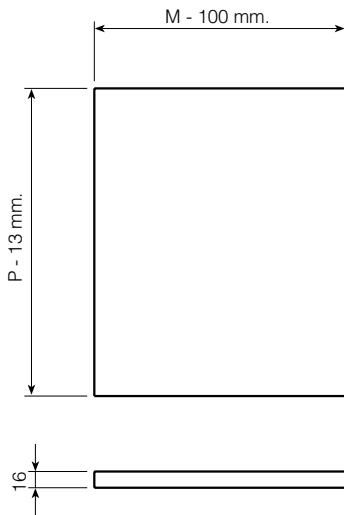




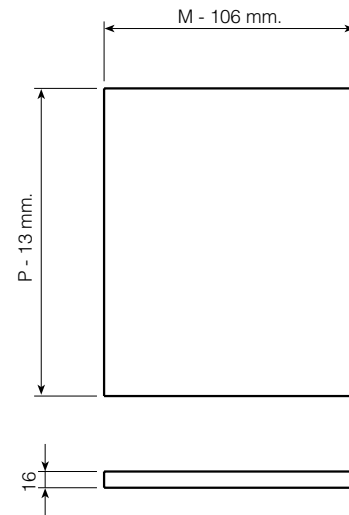
# “ATTRACTION” DRAWER TECHNICAL DATA

## Drawer base dimensions

For 16mm cabinet



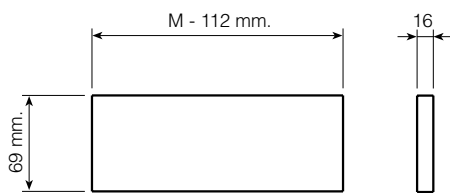
For 19mm cabinet



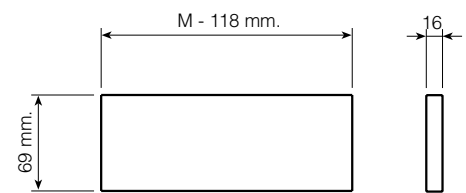
P = Nominal depth of the drawer  
M = Width of the cabinet

## Chipboard back dimensions

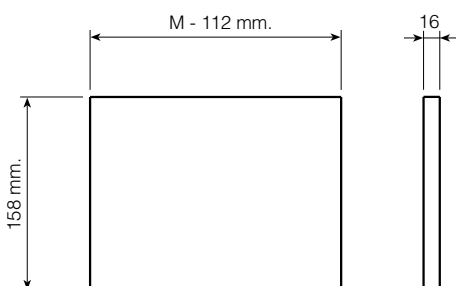
Standard height back: 16mm cabinet



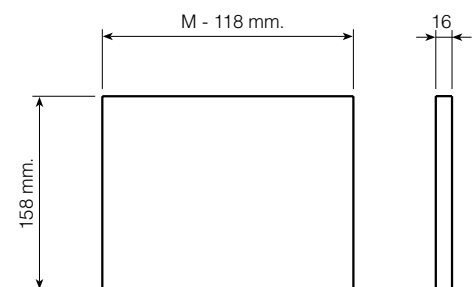
Standard height back: 19mm cabinet



Pan drawer back: 16mm cabinet



Pan drawer back: 19mm cabinet

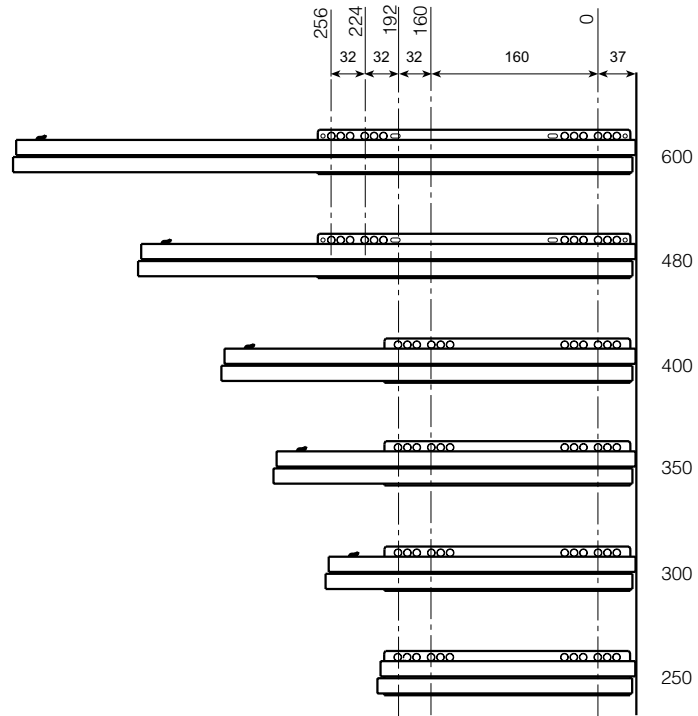


M = Width of the cabinet



# "ATTRACTION" DRAWER TECHNICAL DATA

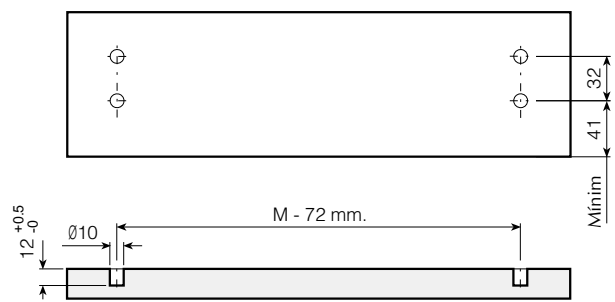
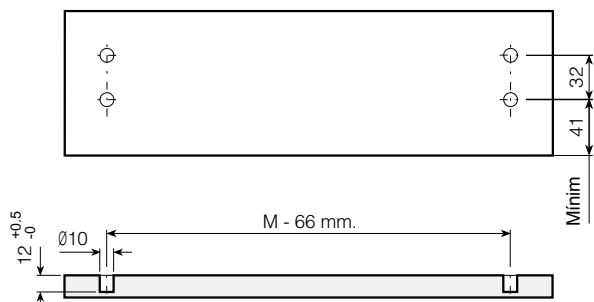
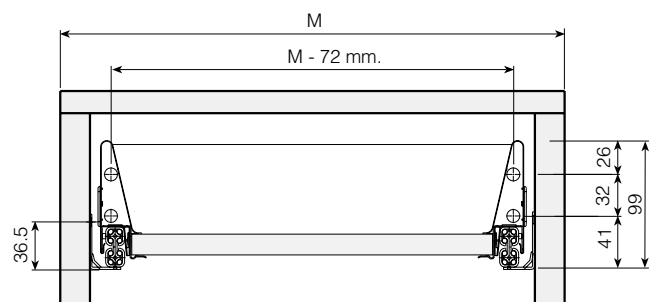
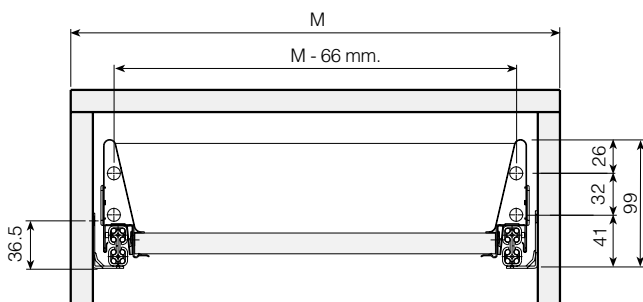
## Drilling and positioning for the drawer runner



## Drilling for the drawer front

Standard height drawer: for 15 or 16mm cabinet

For 18 or 19mm cabinet



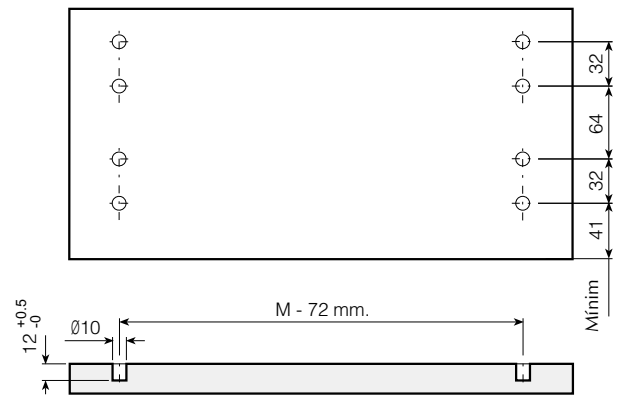
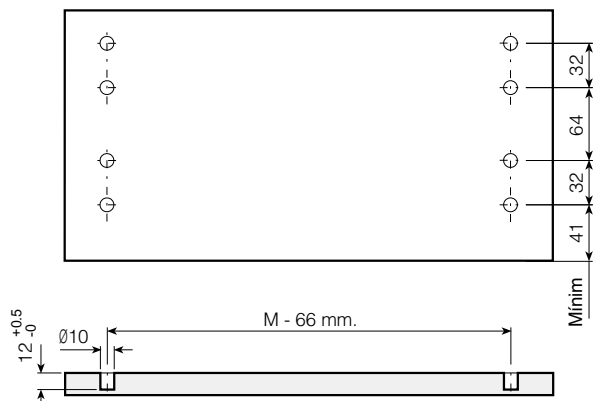
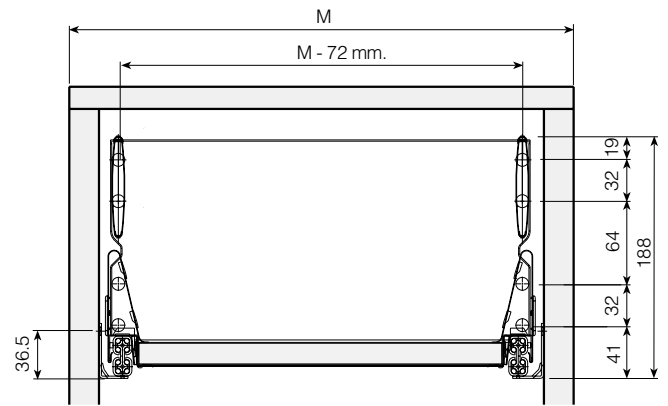
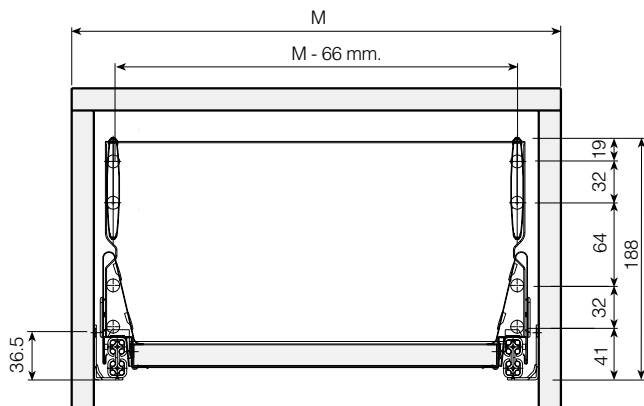


# "ATTRACTION" DRAWER TECHNICAL DATA

## Drilling for the drawer front

Pan drawer: for 15 or 16mm cabinet

For 18 or 19mm cabinet





---

# NOTES

---

---

---

---

---

---

---

---

---

---

---

---

---

---

---

---

---

---

---

---