



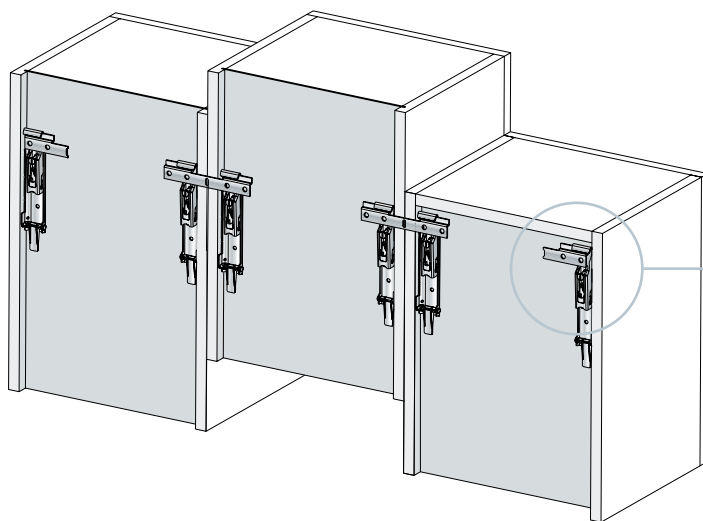
INDAUX



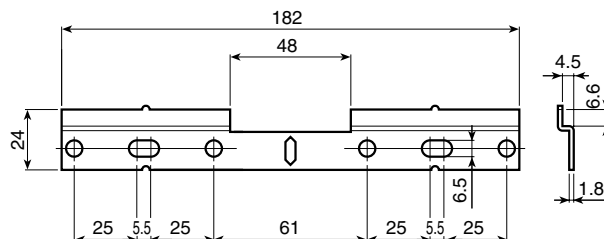
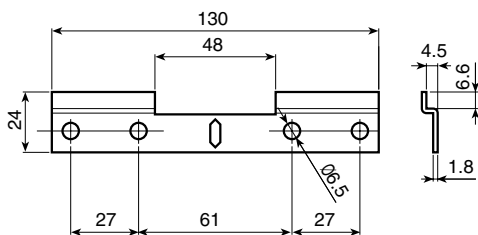
NO NEED FOR TOOLS, INDAUX'S TRASER 6 CABINET HANGER OFFERS MAXIMUM SIMPLICITY, ADJUSTMENT AND ROBUSTNESS.

traser-6 cabinet hanger

DOUBLE WALL MOUNTING PLATE



DOUBLE WALL MOUNTING PLATE.
 THIS MOUNTING PLATE CAN BE SPLIT INTO TWO, TO BE FITTED ON THE END UNITS AS A SINGLE MOUNTING PLATE.



REFERENCES

DOUBLE WALL MOUNTING PLATE

LENGTH (MM.)

130 621.900.031

182 621.901.033

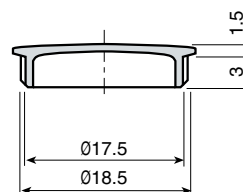
IN BOXES OF 200 MOUNTING PLATES.

Ø18 MM. PLUG

WHITE RAL 9001 961.618.000

NICKEL-PLATED 961.618.066

IN BOXES OF 1.000 PLUGS.



BAG OF ACCESSORIES.

MOUNTING PLATE

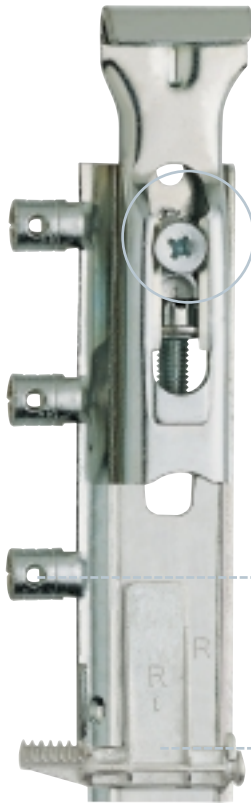
LENGTH 130 MM. 630.800.100

LENGTH 182 MM. 630.801.102

IN BOXES OF 200 BAGS.

EACH BAG CONTAINS 1 MOUNTING PLATE, 4 Ø 6 x 30 RAWLPLUGS AND 4 Ø4,5 x 35 WOOD SCREWS.





WE PRESENT THE FASTEST, MOST CONVENIENT AND SAFEST FITTING SYSTEM ON THE MARKET. YOU WON'T NEED ANY TOOLS TO FIT OR REMOVE YOUR HANGERS. IT WON'T EVEN TAKE YOU ANY TIME. FITTING TRASER 6 IS CHILD'S PLAY. TRY IT, YOU'LL BE SURPRISED.

MAXIMUM PROBLEM-FREE ADJUSTMENT AND PRECISION.

WHY NOT RESPECT THE BEAUTY OF YOUR FURNITURE TO THE MAXIMUM? THAT'S WHAT WE DO. WE HAVE REDUCED THE NUMBER OF HOLES TO BE DRILLED IN YOUR CABINET BACKS LIKE NO-ONE ELSE. A SMALL Ø18 MM HOLE PROVIDES ACCESS TO ALL ADJUSTMENTS. BUT WE GIVE YOU EVEN MORE. IF YOU DON'T WANT TO DRILL YOUR CABINET BACKS, YOU CAN STILL FULLY ADJUST YOUR HANGER. WE ARE UNIQUE IN THIS AS WELL. OUR ADJUSTMENT SCREWS NEVER PENETRATE THE BACK OF THE FURNITURE.

MAXIMUM SAFETY.

IN ADDITION TO SPEED, CONVENIENCE AND APPEARANCE, WE ALSO WANT YOU TO KNOW HOW SAFE OUR SYSTEM IS. OUR R&D DEPARTMENT HAS DEVELOPED A PRODUCT WHICH CAN TAKE A NOMINAL LOAD OF 65 KG PER HANGER. MONTHS OF EFFORT AND IMAGINATION AND HUNDREDS OF TESTS HAVE ENABLED US TO CERTIFY COMPLIANCE WITH THE DIN 68840 STANDARD.

MAXIMUM SIMPLICITY.

BY USING THE FIXING LEVER YOU WILL DISCOVER THE MEANING OF CONVENIENCE. NO OTHER SYSTEM CAN GIVE YOU THIS. BY JUST TURNING THE LEVER 180°, YOU WILL PERCEIVE THE SENSATION OF SAFETY WHICH OUR HANGER'S ANCHORING SYSTEM PROVIDES.

REFERENCES

TRASER-6 CABINET HANGER, RAPID FITTING

LEFT	624.200.032
RIGHT	624.300.036

IN BOXES OF 100 HANGERS.



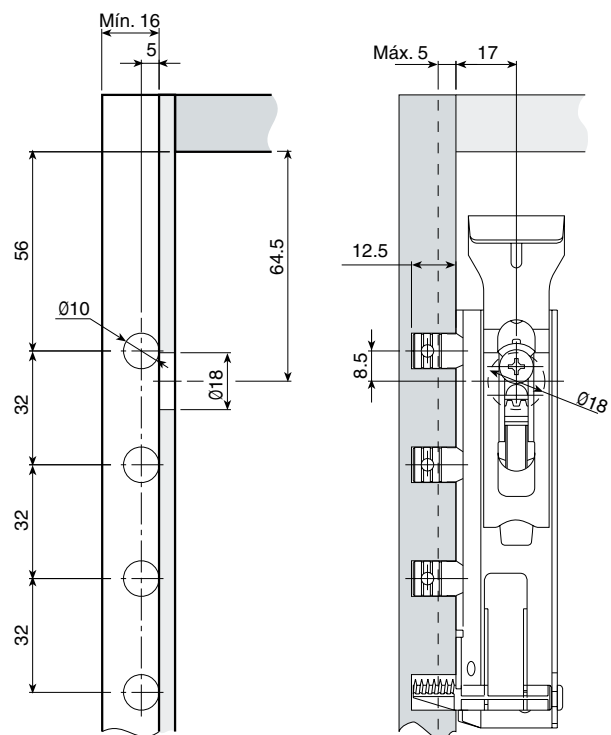
DEPTH ADJUSTMENT.

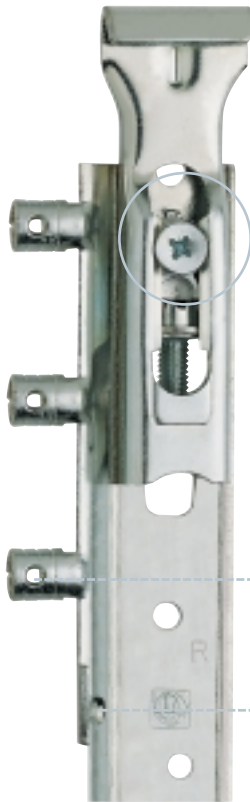
UP TO 25 MM BOTH AT THE FRONT AND BACK, IN THIS CASE, WITHOUT ANY NEED TO DRILL THE BACK OF THE FURNITURE.



HEIGHT ADJUSTMENT.

UP TO 18 MM WITH A PHILLIPS® No.2 , Ø 6 SCREWDRIVER OR A POZIDRIV® No.2, Ø 6. BOTH ADJUSTMENTS THROUGH THE SAME 18 MM DIAMETER HOLE.





MAXIMUM PROBLEM-FREE ADJUSTMENT AND PRECISION.

WHY NOT RESPECT THE BEAUTY OF YOUR FURNITURE TO THE MAXIMUM? THAT'S WHAT WE DO. WE HAVE REDUCED THE NUMBER OF HOLES TO BE DRILLED IN YOUR CABINET BACKS LIKE NO-ONE ELSE. A SMALL Ø18 MM PROVIDES ACCESS TO ALL ADJUSTMENTS. BUT WE GIVE YOU EVEN MORE. IF YOU DON'T WANT TO DRILL YOUR CABINET BACK, YOU CAN STILL FULLY ADJUST YOUR HANGER. WE ARE UNIQUE IN THIS AS WELL. OUR ADJUSTMENT SCREWS NEVER PENETRATE THE BACK OF THE FURNITURE.

MAXIMUM SAFETY.

IN ADDITION TO APPEARANCE, WE ALSO WANT YOU TO KNOW HOW SAFE OUR SYSTEM IS. WE HAVE WORKED TO ACHIEVE A NOMINAL LOAD CAPACITY OF 65 KG PER HANGER. MONTHS OF EFFORT AND IMAGINATION AND HUNDREDS OF TESTS HAVE ENABLED US TO CERTIFY COMPLIANCE WITH THE DIN 68840 STANDARD. THE DOWELS HAVE AN ADDITIONAL FEATURE. THEY HAVE FIXING HOLES FOR ADDITIONAL SCREWING. THEY ONLY NEED TO BE USED WHEN APPLYING EXTREMELY HIGH LOADS.

MAXIMUM SIMPLICITY.

FIXING IS DONE ON THE SIDE OF THE CABINET. YOU JUST HAVE TO SCREW ONE 3.5 x 20 SCREW INTO THE FIXING HOLE.

REFERENCES

TRASER-6 CABINET HANGER, KNOCK-IN FITTING

LEFT	624.000.031
RIGHT	624.100.035

IN BOXES OF 100 HANGERS.



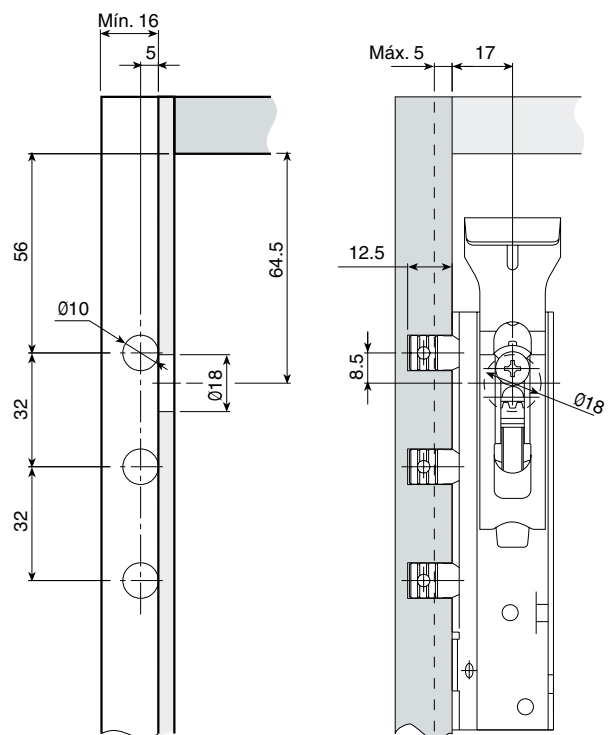
DEPTH ADJUSTMENT.

UP TO 25 MM BOTH AT THE FRONT AND BACK, IN THIS CASE, WITHOUT ANY NEED TO DRILL THE BACK OF THE FURNITURE.



HEIGHT ADJUSTMENT.

UP TO 18 MM WITH A PHILLIPS® No.2, Ø 6 SCREWDRIVER OR A POZIDRIV® No.2, Ø 6. BOTH ADJUSTMENTS THROUGH THE SAME 18 MM DIAMETER HOLE.





FOR THOSE WHO PREFER THE TRADITIONAL FIXING SYSTEM, WE PRESENT THE SCREW FITTING SYSTEM. THE HANGER CAN BE FITTED ON BOTH SIDES, LEFT OR RIGHT.

MAXIMUM PROBLEM-FREE ADJUSTMENT AND PRECISION.

WHY NOT RESPECT THE BEAUTY OF YOUR FURNITURE TO THE MAXIMUM? THAT'S WHAT WE DO. WE HAVE REDUCED THE NUMBER OF HOLES TO BE DRILLED IN YOUR CABINET BACKS LIKE NO-ONE ELSE. A SMALL Ø18 MM HOLE PROVIDES ACCESS TO ALL ADJUSTMENTS. BUT WE GIVE YOU EVEN MORE. IF YOU DON'T WANT TO DRILL YOUR CABINET BACK, YOU CAN STILL FULLY ADJUST YOUR HANGER. WE ARE UNIQUE IN THIS AS WELL. OUR ADJUSTMENT SCREWS NEVER PENETRATE THE BACK OF THE FURNITURE.

MAXIMUM SAFETY.

IN ADDITION TO APPEARANCE, WE ALSO WANT YOU TO KNOW HOW SAFE OUR SYSTEM IS. WE HAVE WORKED TO ACHIEVE A NOMINAL LOAD CAPACITY OF 65 KG PER HANGER. MONTHS OF EFFORT AND IMAGINATION AND HUNDREDS OF TESTS HAVE ENABLED US TO CERTIFY COMPLIANCE WITH THE DIN 68840 STANDARD.

MAXIMUM SIMPLICITY.

FIXING IS DONE ON THE SIDE OF THE CABINET. YOU JUST HAVE TO SCREW THREE 3.5 x 20 SCREW INTO THE FIXING HOLE.

REFERENCES

TRASER-6 CABINET HANGER, SCREW FITTING

624.400.033

IN BOXES OF 100 HANGERS.



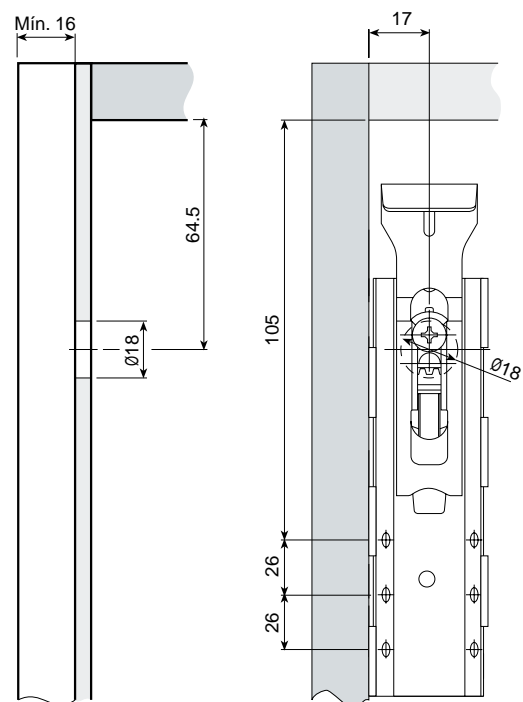
DEPTH ADJUSTMENT.

UP TO 25 MM BOTH AT THE FRONT AND BACK, IN THIS CASE, WITHOUT ANY NEED TO DRILL THE BACK OF THE FURNITURE.



HEIGHT ADJUSTMENT.

UP TO 18 MM WITH A PHILLIPS® No.2, Ø 6 SCREWDRIVER OR A POZIDRIV® No.2, Ø 6. BOTH ADJUSTMENTS THROUGH THE SAME 18 MM DIAMETER HOLE.





INDAUX

Industrias Auxiliares (INDAUX), S.A.
San Prudencio, s/n 20808 GETARIA (Guipúzcoa)
SPAIN.
Telf. +34 943.140.300
Fax. +34 943.140.534
Apto. Correos 132 - 20800 ZARAUTZ (Guipúzcoa)
ESPAÑA
E-mail: indaux@indaux.com

INDAUX UK Ltd.
MGA House
Ray Mill Road East
Maidenhead
Berkshire
United Kingdom SL6 8ST
Tel. +44 1628.780.250
Fax. +44 1628.780.251
E-mail: uk@indaux.com

INDAUX GmbH
Spexarder Str. 138
33335 GÜTERSLOH
Deutschland
Tel. +49 524.176.062/3/5
Fax. +49 524.176.064
E-mail: deutschland@indaux.com

For further information, visit our web page or e-mail us:

Web: www.indaux.com
E-mail: info@indaux.com



High strength.

The maximum load per hanger is 65 Kg in accordance with DIN 68840.

Easy to fit.

It is fixed to the side of the cabinet, independently of the top cover.

Highly adjustable.

Side adjustment with steel guide up to 16 mm. Height adjustment up to 18 mm with Phillips® No. 2, Ø 6 or Pozidriv® nº 2, Ø 6 screwdrivers. Depth adjustment up to 25 mm.

Ecological.

This hanger is entirely made of metal and can be recycled without any problems.

