



"TRASER-6" CABINET HANGER

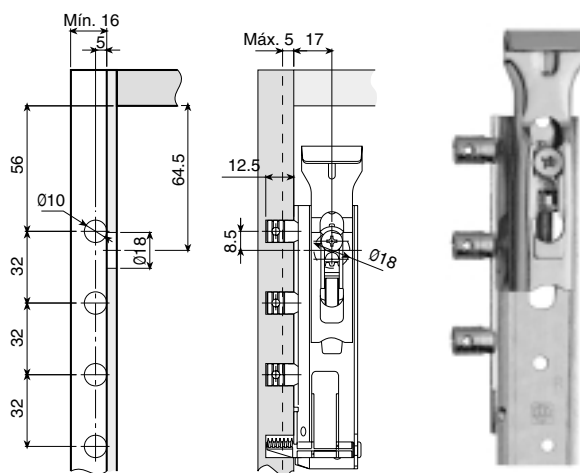


A Concealed cabinet hanger: Quick fitting

	Left	Right
Zinc-plated	624.000.031	624.100.035

The maximum load per hanger is 65 Kg in accordance with DIN 68840.

100



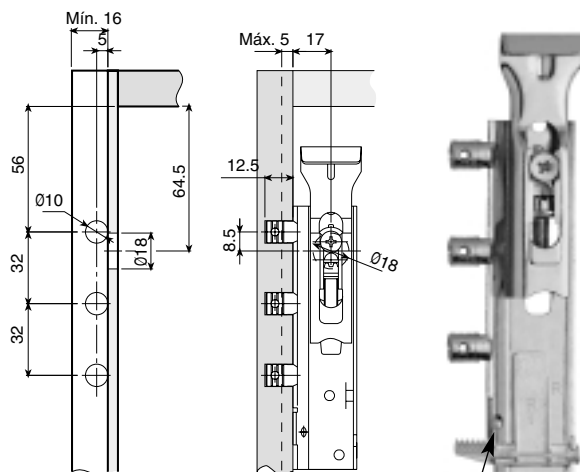
The max. and min. dimensions should be adhered

B Concealed cabinet hanger: "RAPID" fitting

	Left	Right
Zinc-plated	624.200.032	624.300.036

The maximum load per hanger is 65 Kg in accordance with DIN 68840.

100



Screw 3,5 x 20

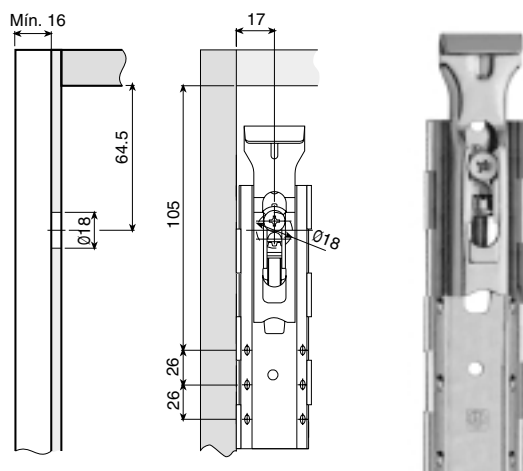
The max. and min. dimensions should be adhered

C Concealed cabinet hanger: screw fitting

Zinc-plated	624.400.033
-------------	-------------

The maximum load per hanger is 65 Kg in accordance with DIN 68840.

100



The max. and min. dimensions should be adhered



Depth adjustment.

Up to 25 mm both at the front and back, in this case without any need to drill the back of the furniture.

Height adjustment.

Up to 18 mm with a Phillips® No.2, Ø 6 screwdriver or a Pozidriv® No.2, Ø 6. Both adjustments through the same 18 mm diameter hole.

Side adjustment.

With steel guide up to 16 mm.



"TRASER-6" CABINET HANGER. ACCESSORIES

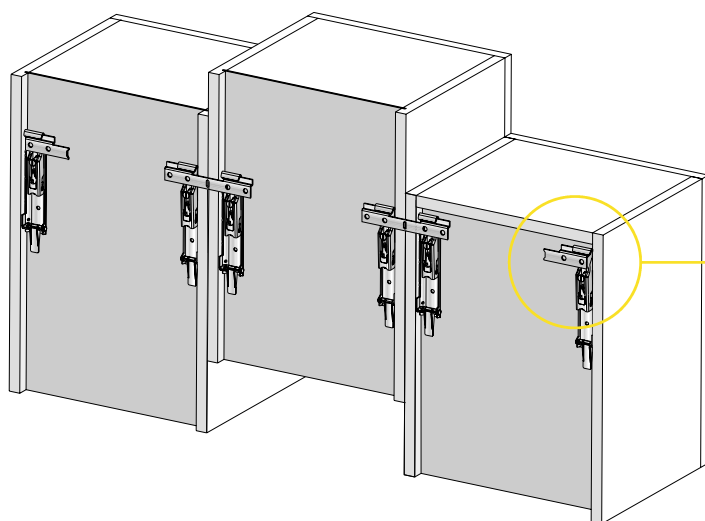
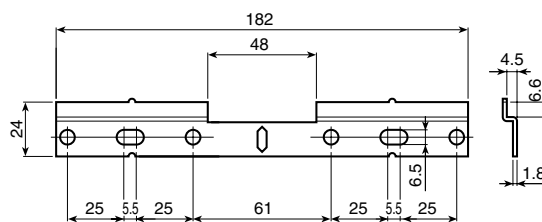
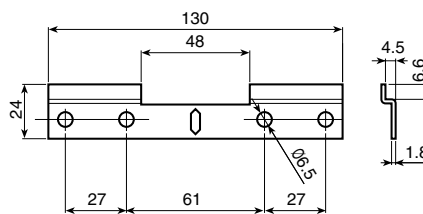


A Double wall mounting plate for "TRASER-6"

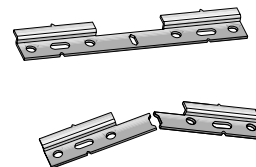
Length (mm.)

130	621.900.031
182	621.901.033

200



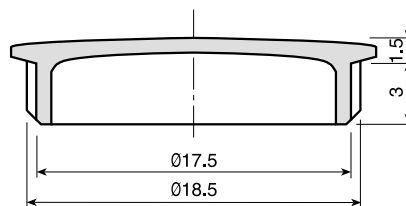
This wall mounting plate can be split into two, to be fitted on the end units as a single mounting plate.



B Ø18 mm plug

White Ral 9001	961.618.000
Nickel plated	961.618.066

1.000



C Bag of accessories

Mounting plate

Length 130 mm.	630.800.100
Length 182 mm.	630.801.102

200

In boxes of 200 bags. Each bag contains 1 mounting plate, 4 Ø6 x 30 rawlplugs and 4 Ø4,5 x 35 wood screws.



"TRASER-3" CABINET HANGER

Completely concealed hanger to be adjusted from the inner part of the cabinet. Can be placed in the right or in the left.

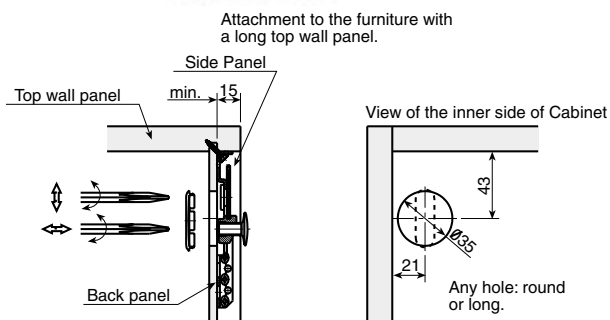
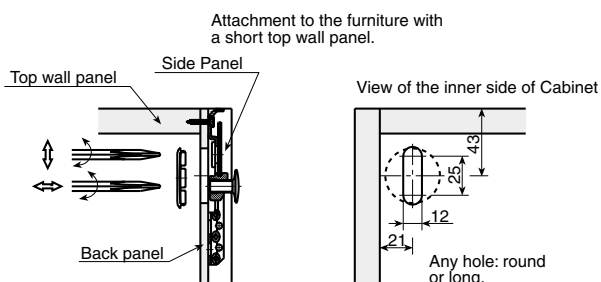


3 ADJUSTMENTS
Height 11 mm.
Front 10 mm.
Side 12 mm.

A Concealed cabinet hanger

Zinc-plated | 622.100.032

100



B Single wall mounting plate

Zinc-plated | 622.000.035

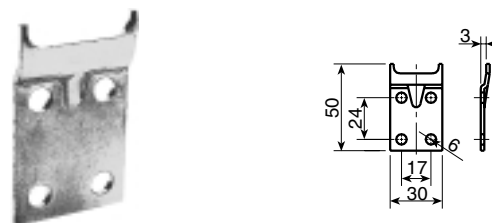
500

Bag of accesories

| 630.100.100

250

Packed in 250 bags boxes. Two wall mounting plates, four Ø 6 x 30 plastic dowels and four Ø 4,5 x 35 screws per bag.



C Double wall mounting double plate

Zinc-plated | 620.400.034

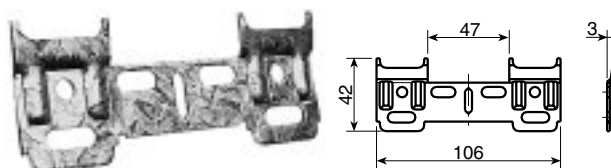
200

Bag of accessories

| 630.700.103

200

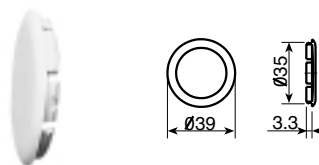
Packed in 200 bags boxes. Two wall mounting plates, four Ø 6 x 30 plastic dowels and four Ø 4,5 x 35 screws per bag.



D Cover for Ø 35 hole

White RAL 9001 | 530.500.003

1000



E Cover for 12 mm. long hole

White RAL 9001 | 961.412.001

1000

Nickel-plated | 961.512.064

