

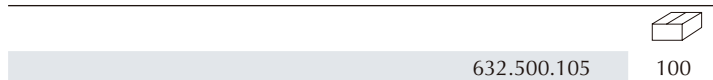
# "TENTI-8"

## "TENTI" SHELF SUPPORT

### 1 "TENTI-8"

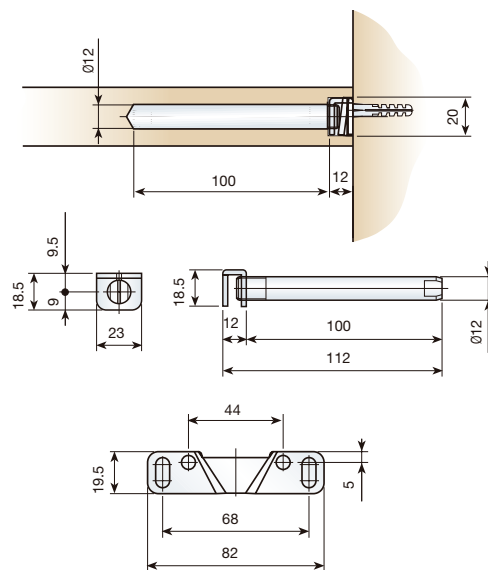
THE MOST IMPORTANT CHARACTERISTIC OF THIS SHELF SUPPORT IS THAT IT IS COMPLETELY CONCEALED AND ABLE TO HOLD HEAVY LOADS. ADDITIONALLY, IT ALLOWS THE SHELF TO BE ADJUSTED IN ANY DIRECTION.

"TENTI-8" SHELF SUPPORT.

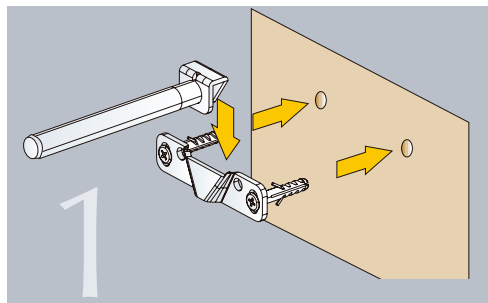


632.500.105 100

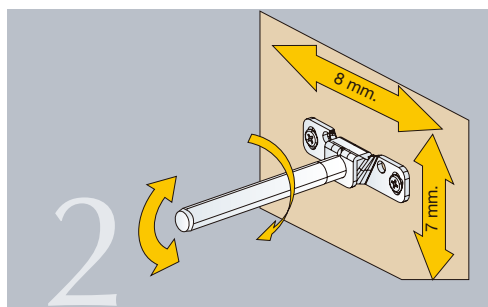
PACKED IN BOXES OF 100 BAGS. EACH BAG CONTAINS 1 SUPPORT, 4 PLASTIC WALL PLUGS Ø6x30 AND 4 SCREWS Ø4.5x35.



### Assembly "Tenti-8"

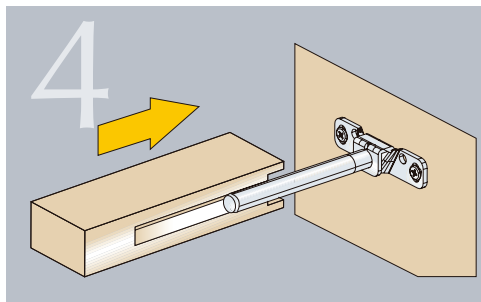
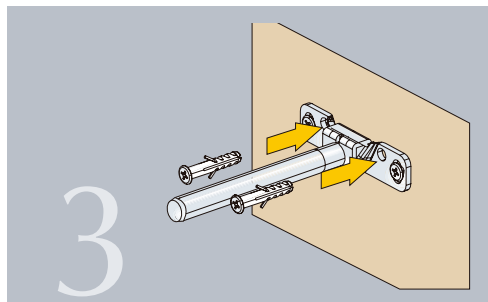


PLACE THE SUPPORT ON THE WALL WITH THE SUPPLIED WALL PLUGS AND SCREWS AND PLACE THE ROD ON THE SUPPORT.



OVAL HOLES ALLOW ACCURATE LEVELLING. IT CAN BE HORIZONTALLY ADJUSTED BY MOVING THE ROD ALONG THE SUPPORT. FURTHERMORE, THE GRADIENT MAY EASILY BE ADJUSTED BY JUST TURNING THE ROD.

FIX THE SUPPORT IN ITS DEFINITIVE POSITION WITH THE OTHER TWO WALL PLUGS AND SCREWS TO AVOID THE SHELF DISPLACING THE LEVELLED POSITION.



FINALLY, PLACE THE SHELF IN POSITION. THIS CAN SUBSEQUENTLY BE REMOVED WHENEVER NECESSARY TO CARRY OUT FURTHER ADJUSTMENTS.