



"TENTI-8" SHELF SUPPORT

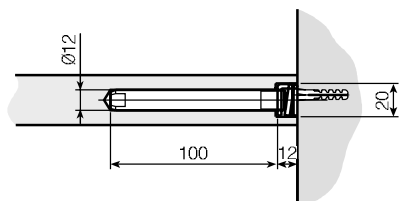
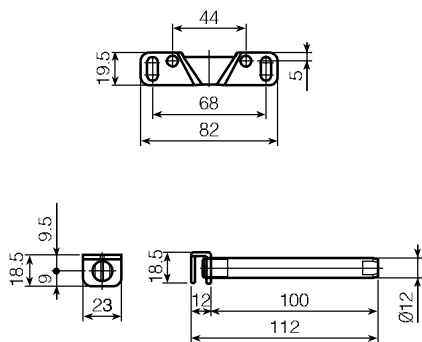
The most important characteristic of this shelf support is to be completely concealed and able to hold heavy loads. Additionally, it allows the adjusting of the shelf in any direction.



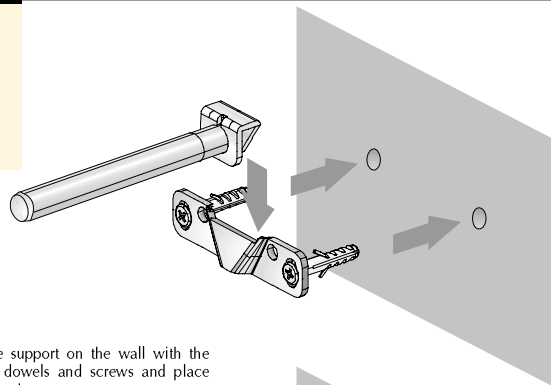
A "TENTI-8" shelf support.

632.500.105

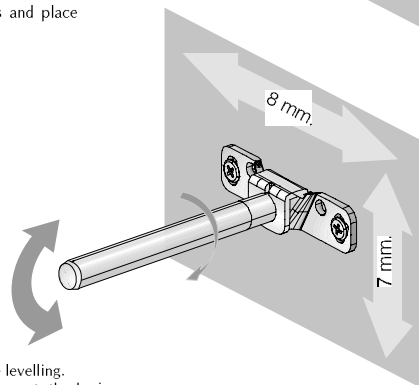
Packed in boxes of 100 bags. Each bag containing 1 support, 4 plastic dowels $\phi 6 \times 30$ and 4 screws $\phi 4,5 \times 35$.



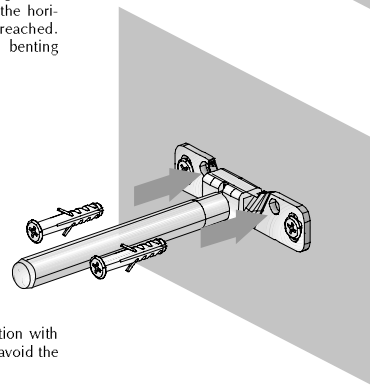
100



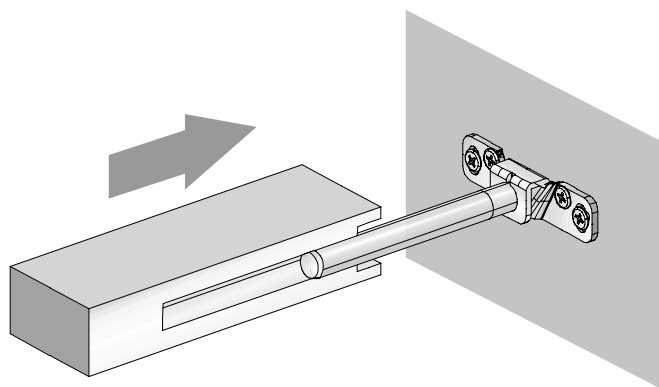
Place the support on the wall with the supplied dowels and screws and place the rod on the support.



Oval holes allow an accurate levelling. Moving the rod along the support, the horizontal adjustment is to be reached. Furthermore, turning the rod, the bending adjustment can be easily achieved.



Fix the support in its definitive position with the other two dowels and screws to avoid the shelf displacing the leveled position.



Finally, lace the shelf. This can be removed when necessary to achieve further adjustments.

